

ミマキ バルク インク システム
Mimaki Bulk Ink System
MBIS3

OPERATION MANUAL
取扱説明書

English

Foreword	2
Safety Precautions	3
Name of each part	6
Setting Ink	7
Replacing the Spout Rubber Assy	9
Replacing the 2L Ink Pack	10
If ink error occurs	12
Troubleshooting	13
In a case like this	14
Caution / Point to be checked	15

Japanese

はじめに	18
安全にお使いいただくために	19
各部の名称	22
インクをセットする	23
スパウトゴム Assy を交換する	25
2L インクパックを交換する	26
インクエラーが発生したら	28
故障?と思う前に	29
こんなときには	30
注意・確認事項など	31

MIMAKI ENGINEERING CO., LTD.

URL: <http://eng.mimaki.co.jp/>

Foreword

Thank you very much for your purchase of the Mimaki Bulk Ink System "MBIS3".

About This Operation manual

- This Operation manual describes the operation and maintenance of "TPC-1000" (hereafter referred to as "this machine").
- Please read and fully understand this Operation manual before putting the machine into service. It is also necessary to keep this Operation manual on hand.
- Make arrangements so that this manual is certainly delivered to the person in charge of the operation of this machine.
- This Operation manual has been carefully prepared for your easy understanding. However, please do not hesitate to contact a distributor in your district or our office if you have any inquiry.
- Description contained in this Operation manual are subject to change without notice for improvement.
- In the case where this Operation manual should be illegible due to destruction or lost by fire or breakage, purchase another copy of the Operation manual from our office.

Caution

DISCLAIMER OF WARRANTY: THIS LIMITED WARRANTY OF MIMAKI SHALL BE THE SOLE AND EXCLUSIVE WARRANTY AND IS IN LIEU OF ALL OTHER WARRANTIES, EXPRESS OR IMPLIED, INCLUDING, BUT NOT LIMITED TO, ANY IMPLIED WARRANTY OF MERCHANTABILITY OR FITNESS, AND MIMAKI NEITHER ASSUMES NOR AUTHORIZES DEALER TO ASSUME FOR IT ANY OTHER OBLIGATION OR LIABILITY OR MAKE ANY OTHER WARRANTY OR MAKE ANY OTHER WARRANTY IN CONNECTION WITH ANY PRODUCT WITHOUT MIMAKI'S PRIOR WRITTEN CONSENT.

IN NO EVENT SHALL MIMAKI BE LIABLE FOR SPECIAL, INCIDENTAL OR CONSEQUENTIAL DAMAGES OR FOR LOSS OF PROFITS OF DEALER OR CUSTOMERS OF ANY PRODUCT.

Requests

- This Operation manual has been carefully prepared for your easy understanding. However, please do not hesitate to contact a distributor in your district or our office if you have any inquiry.
- Description contained in this Operation manual are subject to change without notice for improvement.












Unauthorized reproduction of this manual is strictly prohibited.
MIMAKI ENGINEERING Co., Ltd.
All Rights Reserved. Copyright

Safety Precautions




About Symbols

Symbols are used in this Operation manual for safe operation and for prevention of damage to the machine. One symbol is used for one caution. Please understand the meaning of each symbol and use this machine safely.






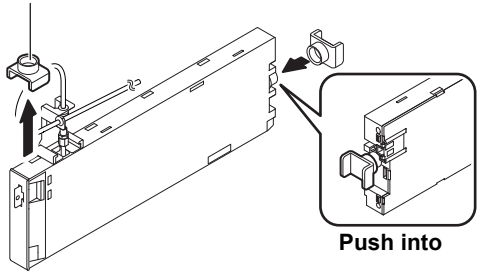


Symbols and Their Meanings

Meaning	
	Failure to observe the instructions given with this symbol can result in death or serious injuries to personnel. Be sure to read and observe the instructions for proper operation.
	Failure to observe the instructions given with this symbol can result in injuries to personnel or damage to property.
	Important notes in use of this machine are given with this symbol. Understand the notes thoroughly to operate the machine properly.
	Useful information is given with this symbol. Refer to the information to operate the machine properly.
	Indicates the reference page for related contents.
	The  symbol indicates that the instructions must be observed as strictly as the CAUTION instructions (including DANGER and WARNING instructions). A sign representing a precaution (the sign shown at left warns of an electric shock hazard) is shown in the triangle.
	The  symbol indicates that the action shown is prohibited. A sign representing a prohibited action (the sign shown at left prohibits disassembly) is shown in or around the circle.
	The  symbol indicates that the action shown must be taken without fail or the instructions must be observed without fail.

Cautions about installation

 Caution	
Do not install in the following places:	
 <ul style="list-style-type: none"> • A place exposed to direct sunlight • On an inclined surface • A place that vibrates • A place exposed to direct air flow from an air conditioner, etc. • Around a place where fire is used 	 <ul style="list-style-type: none"> • A place where the temperature or humidity changes significantly (The recommended usage environment differs depending on the connected printer. Confirm it referring to the instruction manual of the printer.)

Warning for Use

 Warning	
How to Handle Ink	
 <ul style="list-style-type: none"> • The ink used for this machine contains organic solvent. Since the ink is flammable, never use flame in or around the place where this machine is used. 	 <ul style="list-style-type: none"> • If the machine is used in a room with bad ventilation or a hermetically closed room, be sure to install ventilation equipment. In addition, if you inhale a lot of vapor and feel bad, immediately move to a location of fresh air and then keep yourself warm and quiet. • If anyone drinks ink by mistake, keep him or her quiet and see a doctor immediately. Do not allow him or her to swallow the vomit. After that, contact the Poison Control Center. • The ink contains organic solvent. If ink has stuck to your skin or clothes, immediately wash it off with detergent and water. If you get ink in your eyes, immediately wash your eyes with a lot of clean water for at least 15 minutes. In doing so, also wash eyes to rinse ink away completely. Then, consult a doctor as soon as possible. • Be sure to store ink packs out of reach of children.
 <ul style="list-style-type: none"> • When removing 2L eco case from the seat, be sure to wear goggles etc. Ink may spatter and get in your eyes. Do not pull out and insert the middle cartridge as much as possible. 	
Do not pull out /insert the middle cartridge as much as possible	
 <ul style="list-style-type: none"> • The number of pulling out and inserting the middle cartridge shall be minimized. It may cause ink leakage. • When you do not use the middle cartridge, thoroughly pull out it from the slot. Store the middle cartridge you pulled out with its rubber cap pushed into the top edge of it to prevent ink leakage. <ol style="list-style-type: none"> 1. Thoroughly pull out the middle cartridge. 2. Remove the rubber cap located on the IC chip side of the middle cartridge. 3. Push the rubber cap into the top edge of middle cartridge (to the opposite side of the IC chip) to prevent ink leakage. • Do not pull out further than the stoppers when pulling out the middle cartridge. Doing so will break the tube (less than 30 cm) and result in an ink discharge fault. 	<p style="text-align: center;">Rubber cap</p>  <p style="text-align: right;">Push into</p>
Prohibition of Use in a Damp Environment	Prohibition of Disassembly or Modification
 <ul style="list-style-type: none"> • Avoid locating the machine in a damp environment. Do not splash water onto the machine. Use in such an environment can give rise to fire, electric shocks or breakdown of the machine. 	 <ul style="list-style-type: none"> • Never disassemble or modify this machine or the ink cartridges. Disassembly or modification results in electric shocks or breakdown of the machine.

Caution for Use

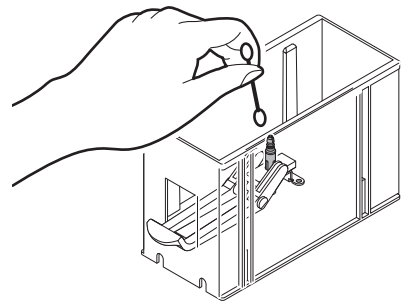


Caution

Handling of MBIS3



- Even when not using MBIS3, keep the 2L ink pack be set. If the 2L ink pack is not set, the male connector end located in the center of the seat will be solidified and supplying ink to the printer will not be available or ink leakage may occur. If the ink becomes clogged, use a cotton swab dabbed in the dedicated cleaning solution to remove the solidified ink.
- Do not set the 2L eco case without 2L ink pack on the jack stand. Doing so will result in air from the male connector being mixed in causing an ink discharge fault.



Using dedicated ink

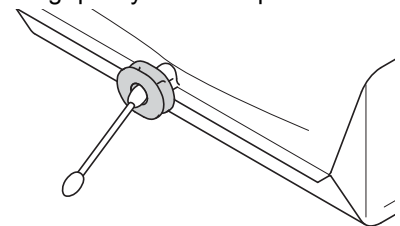


- Be sure to use dedicated ink for the printer to be connected. It will not operate with ink other than the dedicated one because of protecting the printer.

How to Handle Ink Packs



- If the ink pack is moved from a cold place to a warm place, leave it in the room temperature for three hours or more before using it.
- Open the ink pack just before installing it in the machine. If it is opened and left for an extended period of time, normal printing performance of the machine may not be ensured.
- Make sure to store ink packs in a cool and dark place.
- Be sure to thoroughly consume the ink in the ink pack, once it is opened, within three months. If an extended period of time has passed away after opening the pack, printing quality would be poor.
- When you removed the 2L ink pack from the seat before it ends, wipe ink adhering to inside of the connector part of the 2L ink pack with a cotton swab etc.
If ink adhering to inside of the connector part may dry out, it may cause ink leakage when using it again.



- To change the ink type or the color after installing MBIS3, replace the ink tube, spout rubber and the seat. Contact with sales office or our business office.



- Never refill the ink pack with ink. Refilled ink pack can cause a trouble. Remember that MIMAKI assumes no responsibility for any damage caused by the use of the ink pack replenished with ink.
- Neither pound the ink pack nor shake it violently, as doing so can cause leakage of ink.

Do not leave the ink slot empty



- Do not leave the ink slot empty for a long time. Leaving it empty may dry the slot and solidify the ink in the machine, then the machine will become unable to supply ink.
- If ink cartridges are not set in the ink slot, an error message will display on the printer to set ink cartridges. Set the same colored ink cartridge as the ink used before.

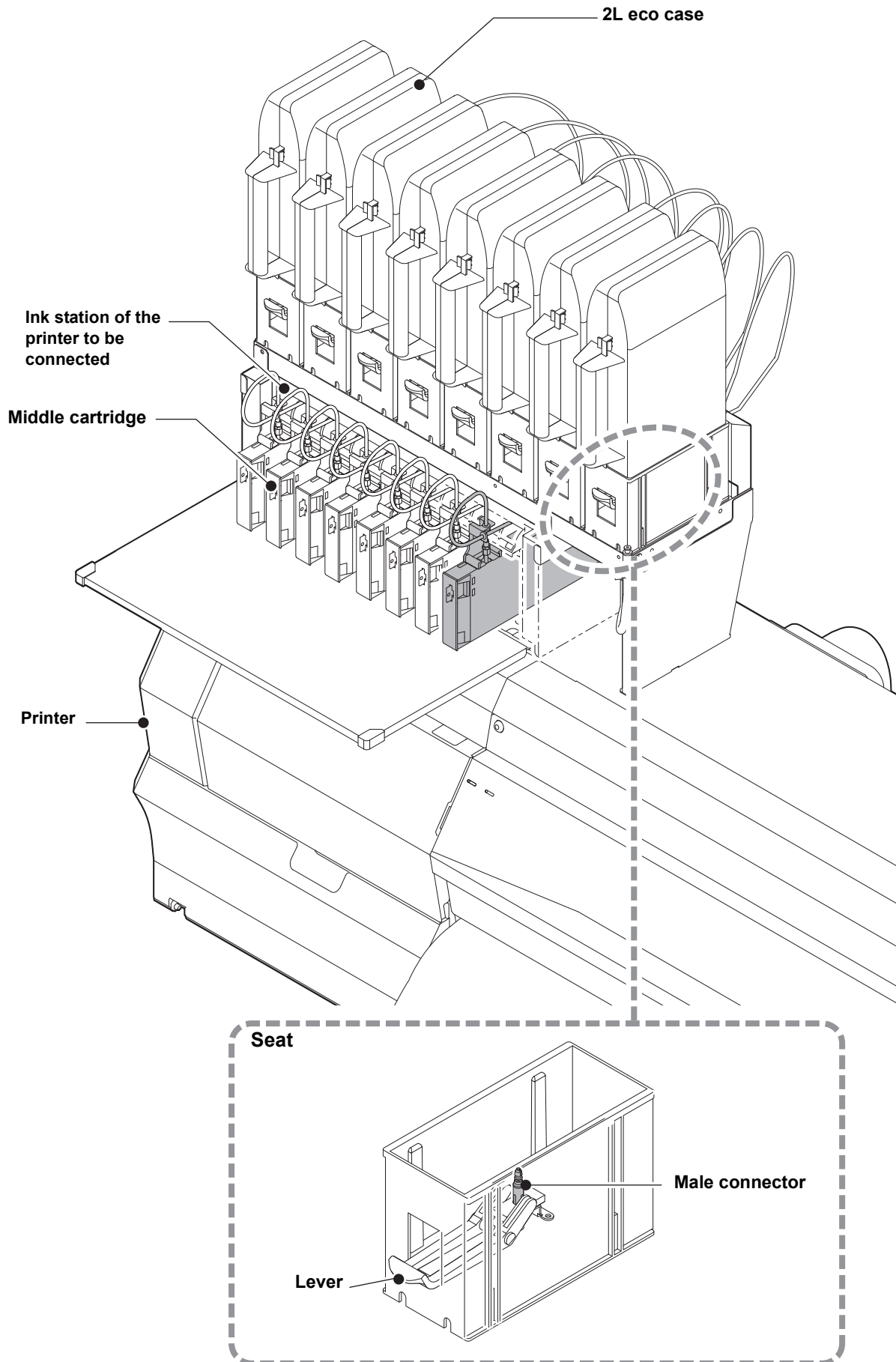
Tube breakage



- Be careful that the exposed tube does not break in the following conditions.
Contact with sales office or our business office.
 1. When moving the tube to the rear of the printer for setting media or other reasons.
 2. When removing and pulling out the middle cartridge.
 3. When replacing the 2L ink pack.

Name of each part

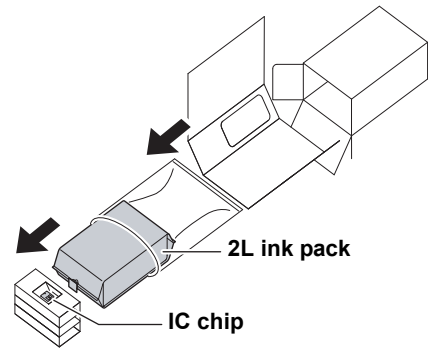
As the ink supplying system of MBIS3 uses hydraulic head pressure, 2L eco case is located in the higher place. When you set or exchange ink, prepare a foot stool etc.



Setting Ink

1 Take out the 2L ink pack.

- Take out the 2L ink pack and the IC chip from a small cardboard box.

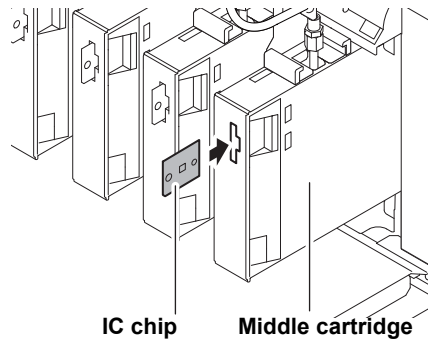
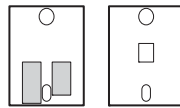


2 Mount the IC chip on the middle cartridge.



■ Be careful of the IC chip direction. If it is set in the wrong direction, ink is not supplied properly.

Insert the chip facing the metal side to the left.
Do not touch the metal part while inserting.
(The IC chip may be damaged by static electricity.)

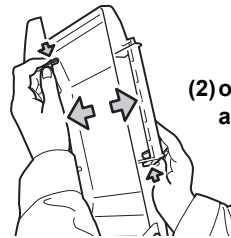


3 Put the 2L ink pack into the 2L eco case.

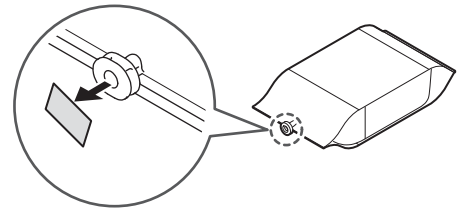
- (1) Open the 2L eco case as shown on the right.

(1) While pressing the finger grip,

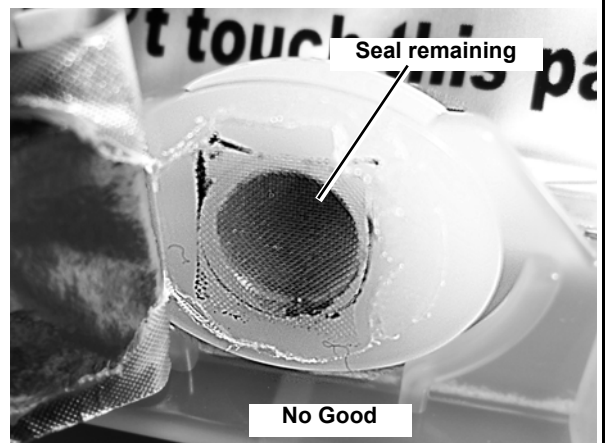
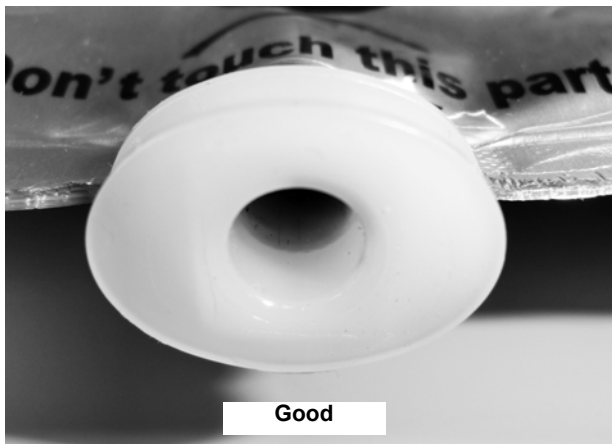
(2) open to right and left.



- (2) Tear off the seal on the connector of the 2L ink pack.



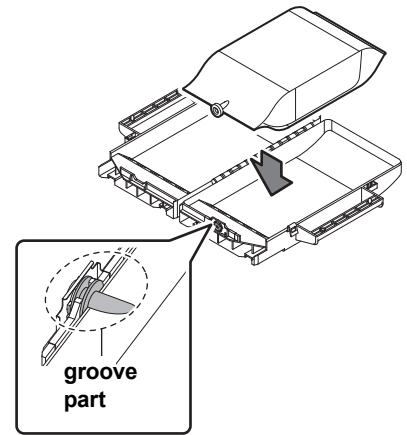
■ If there is a seal remaining, when remove 2L ink pack from the pedestal base, there is a possibility that ink leaks in large quantities. Please be careful so that there is no seal remaining.



- (3) Put the 2L ink pack facing the connector down, and close the 2L eco case.



- When putting the 2L ink pack, shape the pack referring to the label in the 2L eco case. If unshaped, you may not use up the ink.
- Before closing the 2L eco case, make sure the connector of the ink pack is placed on the groove part of the 2L eco case. If it is not placed on the groove, it may not supply ink.

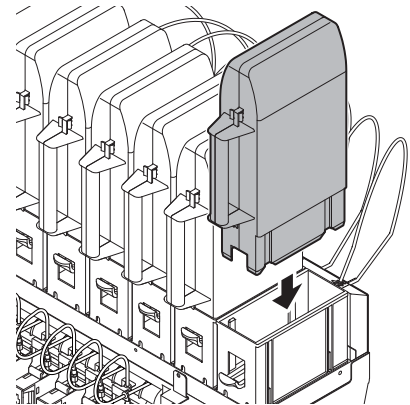


4 Attach the 2L eco case to the base.

- Ink is supplied to the printer connecting to the 2L eco case.
- After 1 or 2 minutes, EMPTY lamp on the connected printer goes out.



- Push the 2L eco case all the way in. If not, it may not supply ink.



Replacing the Spout Rubber Assy

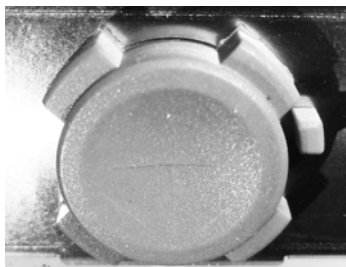
Install the spout rubber in an eco case in order to reduce ink leakage from the 2L ink pack.

The spout rubber is a supplied part. (SPA-0250: Set of 8 Rubber stopper 2L for case)

The replacing timing sign of the spout rubber will be shown about once every half-year. Please replace the spout rubber when you see the sign on the display.

Important!

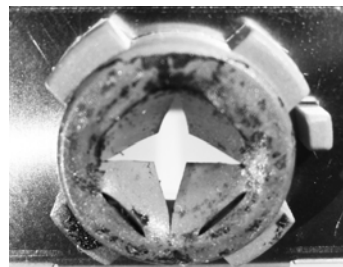
- Replace all eight spout rubber assys as a set at the same time.
- Depending on the usage environment and usage conditions, the spout rubber may deteriorate within half a year. If the gap in the center expands as shown in the picture, please replace it regardless of if there is a warning message.



The beginning of spout rubber



It is available to use



It is necessary to replace



- Reset the counter according to the following procedures if replacing any time other than when the warning is displayed.

- (1) Press the **FUNC1** key in LOCAL to select "INFORMATION" and press the **ENTER** key.
- (2) Select "USAGE" and press the **ENTER** key.
- (3) Press the **FUNC3** key.

- (4) When display

EcoCase/SpoutRubber
RESET? [ENT]

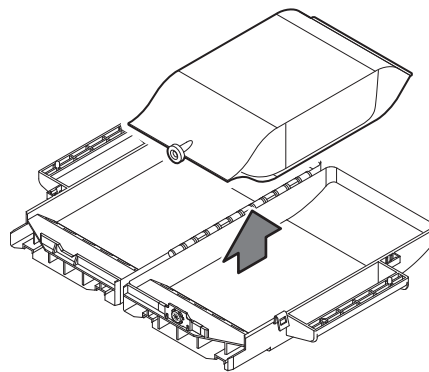
, press the **ENTER** key and reset the counter.



■ When exchanging 2L ink pack, be sure to wear goggles and gloves. Ink may spatter and get in your eyes accidentally.

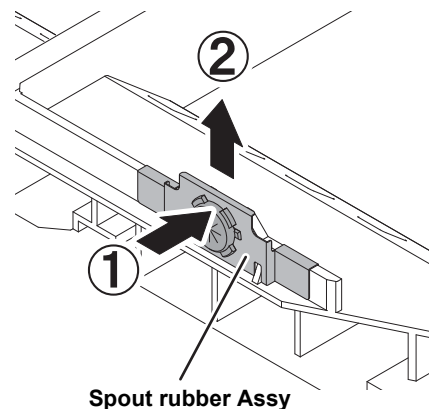
1 Open the 2L eco case.

2 Remove the 2L ink pack.



3 Remove the spout rubber assy.

- Press against the top of the spout rubber assy and pull it out vertically.



4 Attach the new spout rubber assy.

Replacing the 2L Ink Pack

When ink has run out, a message appears on the connected printer display.
(See the operation manual of the printer for details.)

Replace the 2L ink pack as follows.



■ When exchanging 2L ink pack, be sure to wear goggles and gloves. Ink may spatter and get in your eyes accidentally.



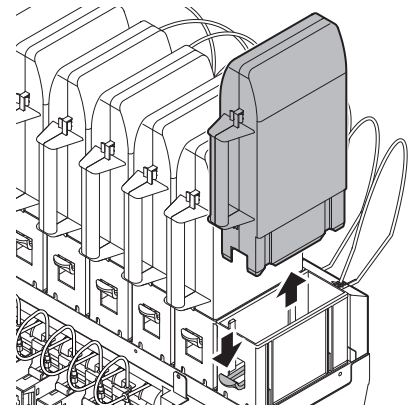
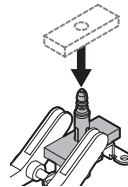
- Although approximately 10 cc of ink remains in the ink pack after use, the pack is filled so that the actual amount used is two liters.

1 Push the lever of the base down, and remove the 2L eco case.

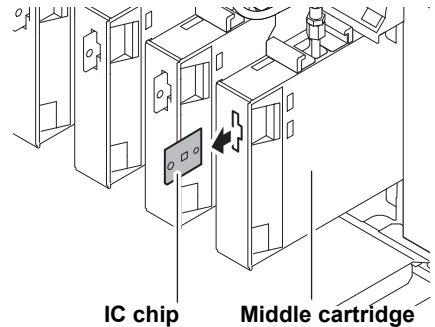


When replacing the 2L ink pack, replace the male connector absorbent (attachment) periodically to prevent the stain in the base.

- Replace the absorbent every five to ten times of the 2L ink pack replacement.
- When replacing the absorbent, be sure to wear the attached goggles and gloves.



2 Remove the IC chip set on the middle cartridge.



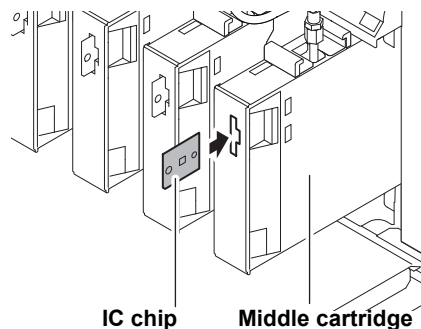
3 Open the 2L eco case, then replace the 2L ink pack.

- Keep the IC chip removed in the step 2 with used 2L ink packs.
(Not to mix with an IC chip of a new ink pack)

4 Mount the IC chip supplied with the replacement 2L ink pack on the middle cartridge.



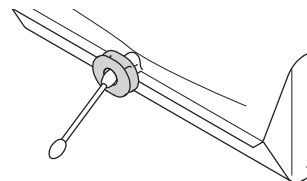
■ Be careful not to touch the metal part of the IC chip. There is the danger of damaging IC chip because of static electricity being generated.



■ Request an industrial waste disposal company for disposal of used ink packs.

■ If removing an ink pack before it ends, follow the procedures below. Otherwise, you cannot accurately grasp the remaining amount of ink.

1. Remove an ink pack from an eco case.
2. Wipe ink adhering to inside of the connector part of the 2L ink pack with a cotton swab etc.
3. Remove the IC chip set on the middle cartridge, and keep it with the ink pack.
4. If you use the ink pack again, set the pack, and mount the IC chip kept with the pack on the middle cartridge.



If ink error occurs

If ink error occurs, a warning message will be displayed in the display of the printer, and all operations related ink discharge such as printing and cleaning cannot be performed.

When ink error occurs: An “x” is displayed in the local ink remaining icon.

To display the details of ink error

(1) Press the [ENTER] key in the local mode of the printer.



- Here, warning messages unique to MBIS3 is explained. For other warning errors, refer to the instruction manual of the printer.
- For the method of detailed display of warning error, refer to the instruction manual of the printer.

Message	Cause	Solution
NO CARTRIDGE	The middle cartridge is not set.	• Set the middle cartridge without fail.
	The IC chip is not inserted into the middle cartridge.	• Insert the IC chip.
	The IC chip cannot be read correctly.	• Contact with a call center.
WRONG CARTRIDGE	After replacing 2L ink pack, you did not change the IC chip to new one.	• When 2L ink pack was replaced due to running out of ink etc., if you use the IC chip for old 2L ink pack without change, the printer cannot detect the ink information of new 2L ink pack. When you replace 2L ink pack, set the IC chip attached to the replaced ink pack into the middle cartridge.
INK NEAR END / INK END	Ink in the middle cartridge remains low.	<ul style="list-style-type: none"> • When ink in the middle cartridge gets low, “INK NEAR END” or “INK END” appears and the cartridge LED turning on yellow. We recommend replacing to the 2L ink pack early. • Replacing to the 2L ink pack, ink is supplied to the middle cartridge, and the ink near end / ink end error disappears. • If ink end occurs in one supply path while drawing or cleaning, the operation is terminated immediately. • Even if you replace 2L ink pack while ink near end / ink end is displayed, the error display will not be released immediately. Wait until ink will be filled in the middle cartridge. After the error state is released, printing and cleaning etc. will be available.
	Ink supply tube is broken.	• Replacement is required. Contact with a call center.
Replace the spout rubber of ECO-CARTRIDGES	The replacement period of the spout rubber in the eco case has elapsed.	• Replace the spout rubber. (☞ P. 25)

Troubleshooting

Take the appropriate actions as described below before taking the trouble as a failure. If the problem is still not solved after troubleshooting, contact your distributor or our service office.

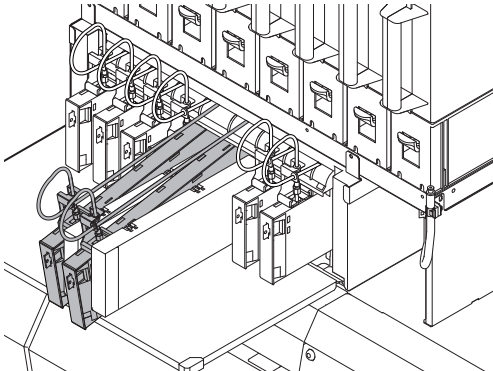
Failure phenomenon	Cause	Solution
Ink cannot be supplied.	The 2L eco case has not been pushed all the way in the base.	• From the top, push the 2L eco case all the way in the base.
	The ink pack has not been set in the 2L eco case.	• Check the ink pack is set in the 2L eco case. If it is not set, set the ink pack.
	The 2L eco case has not been set.	• Set the eco case with the 2L ink pack on the base.
	Ink has ended in the 2L ink pack.	• Replace the ink pack in the 2L eco case with the IC chip.
	Ink supply tube is broken.	• Check the ink supply tube is not broken. If it is broken, contact for service.
	The middle cartridge is not completely pushed in.	• Push the middle cartridge all the way into the printer.
	(base) Solidified ink is adhering to the male connector on the base.	• Use a cotton swab dabbed in the dedicated cleaning solution to remove the solidified ink. (☞ P. 15)
Ink leakage occurs.	(Supply path) The screw at the upper part of the middle cartridge is loosened.	• Fasten the screw again. • If ink leakage occurs after fastening the screw again, contact with a call center.
	(2L ink pack) There is a seal remains in the connector part of the 2L ink pack. (☞ P. 7)	• Replace a new ink pack.
	(2L ink pack) The 2L ink pack connector is broken.	• Replace a new ink pack.
	(2L ink pack) The spout rubber has deteriorated.	• Replace a new spout rubber. (☞ P. 9) After replacing, go to [INFORMATION] - [USAGE] - [SpoutRubber] and press [FUNC3] key and reset the counter.
	(base) Solidified ink is adhering to the male connector on the base.	• Use a cotton swab dabbed in the dedicated cleaning solution to remove the solidified ink. (☞ P. 15)
	(middle cartridge) The rubber stopper of the tip has deteriorated.	• Contact with a call center.

In a case like this



- The number of pulling out and inserting the intermediate cartridge shall be minimized. If you pull out and insert the middle cartridge again and again, it may cause ink leakage etc.

If you want to stop to use MBIS3 and want to use ink cartridge

Firmware Version of the Printer	Solution
<p>If you want to stop to use MBIS3 and want to use ink cartridge</p>	<ul style="list-style-type: none"> • Set the ink cartridge into the slot to be used. Rebooting the machine is not required.
<p>If you want to stop to use ink cartridge and change to MBIS3 with initially filled</p>	<ul style="list-style-type: none"> • When you use MBIS3 for the first time, the initial filling is required. Contact with sales office or our business office.
	<ul style="list-style-type: none"> • Set the middle cartridge into the slot to be used. Rebooting the machine is not required.
<p>If you wish to switch from MBIS3 to ink cartridge temporarily by necessity.</p>	<ul style="list-style-type: none"> • Pull out the middle cartridge of the slot to be switched to use of ink cartridge and set the ink cartridge alternatively. At this time, at this time, put the removed middle cartridge next to the slot. 

Caution / Point to be checked

Do not leave the ink slot empty

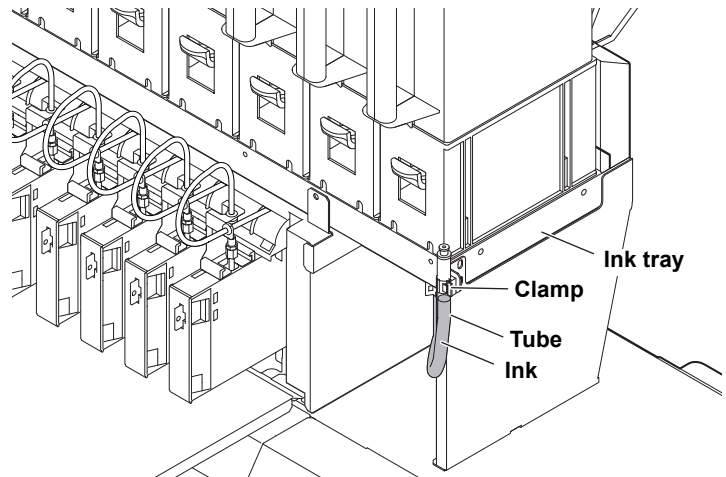
Do not leave the ink slot empty for a long time. Leaving it empty may dry the slot and solidify the ink in the machine, then the machine will become unable to supply ink.

If ink cartridges are not set in the ink slot, an error message will display on the printer to set ink cartridges. Set the same colored ink cartridge as the ink used before.

Checking ink in the ink case fixing base

Check periodically that ink is not accumulated in the ink tray.

Ink can be seen in the tube shown in the figure on the right if ink has accumulated. If ink is visible, remove the tube from the clamp and drain the accumulated ink in a cup or similar container.



Important!

■ The ink tray structure is such that ink will not spill out even if the whole contents of a 2L ink pack leaks out.

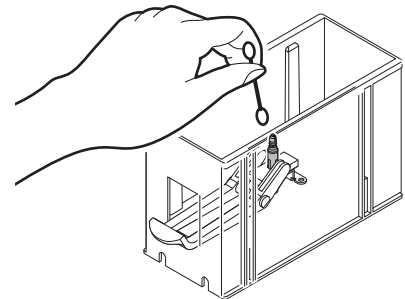
To prevent the dryness of the male connector

Do not leave the 2L eco case removed from the base for a long time.

Dryness of the male connector may clog ink.

If the ink becomes clogged, use a cotton swab dabbed in the dedicated cleaning solution to remove the solidified ink.

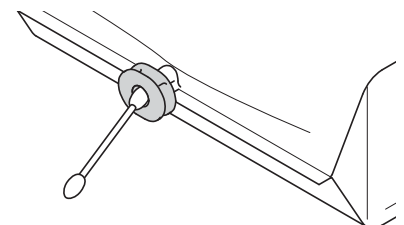
Even when ink is end, set an empty 2L ink pack to prevent dryness of the male connector.



To prevent the dryness of the 2L ink pack connector part

When you removed the 2L ink pack from the seat before it ends, wipe ink adhering to inside of the connector part of the 2L ink pack with a cotton swab etc.

If ink adhering to inside of the connector part may dry out, it may cause ink leakage when using it again.



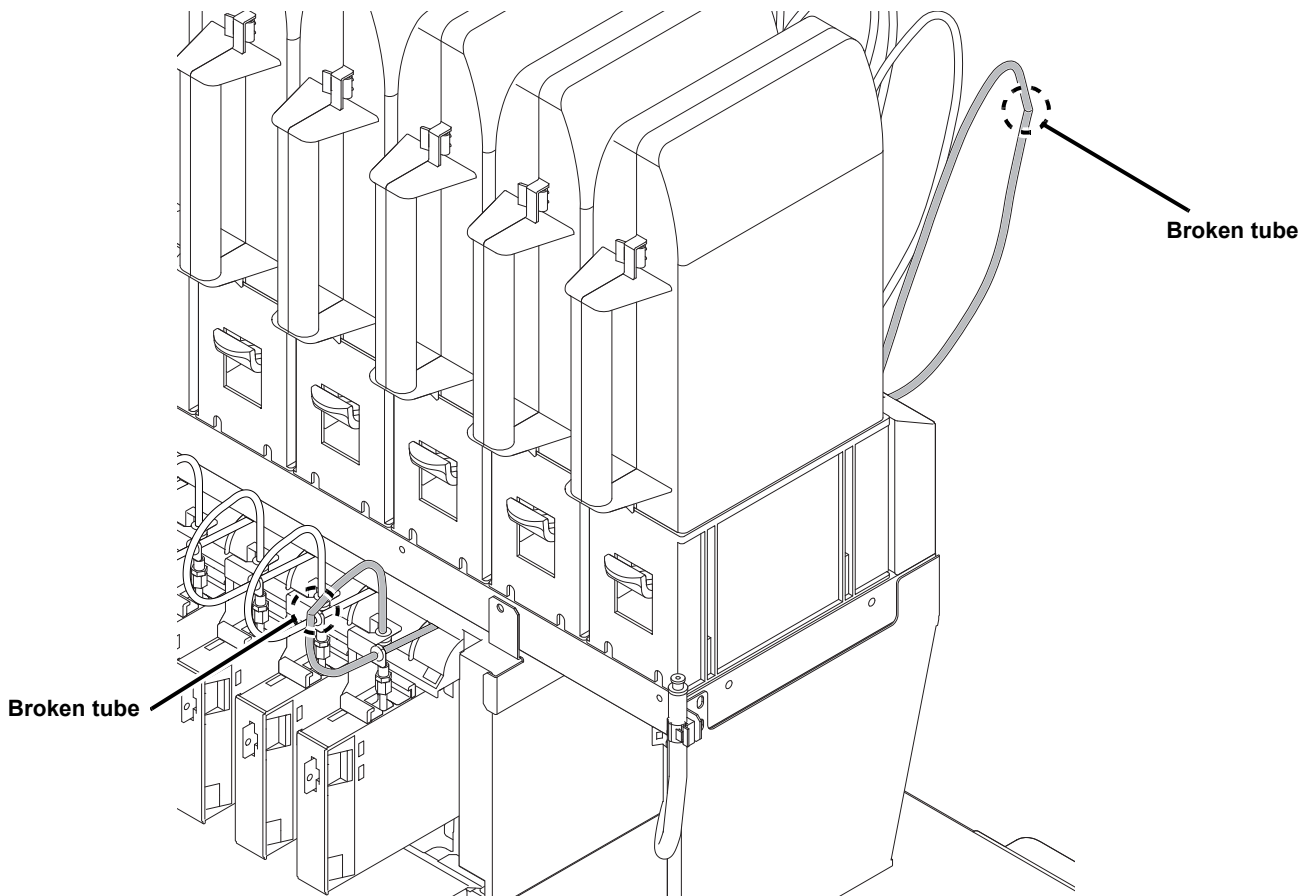
Caution for setting 2L eco case

Setting the 2L eco case without 2L ink pack may result in air from the male connector being mixed in causing an ink discharge fault.

Do not set the 2L eco case without 2L ink pack on the base.

Broken tube

If the ink near-end / ink end occurs despite the remaining amount in 2L ink pack, the tube may have been broken. In this case, please call for service because the tube replacement is required.



Notes when not using middle cartridge

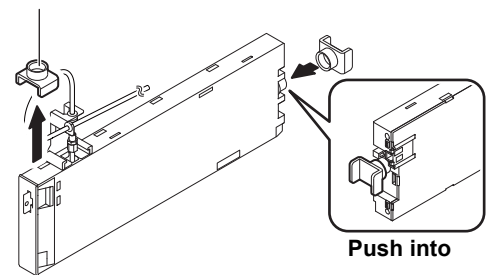
When you do not use the middle cartridge, thoroughly pull out it from the slot. Store the middle cartridge you pulled out with its rubber cap pushed into the top edge of it to prevent ink leakage.

1. Thoroughly pull out the middle cartridge.
2. Remove the rubber cap located on the IC chip side of the middle cartridge.
3. Push the rubber cap into the top edge of the middle cartridge to prevent ink leakage.



- The number of pulling out and inserting the intermediate cartridge shall be minimized. If you pull out and insert the middle cartridge again and again, it may cause ink leakage etc.
- Do not pull out further than the stoppers when pulling out the middle cartridge. Doing so will break the tube (less than 30 cm) and result in an ink discharge fault.

Rubber cap





はじめに

この度は、バルクインク供給システム MBIS3 をお買いあげいただき、誠にありがとうございます。

取扱説明書について

- 本書は、「MBIS3」の操作について説明いたします。
- 本書をお読みになり、十分理解してからお使いください。また、本書をいつも手元に置いてお使いください。
- 本書は、MBIS3 をお使いになる担当者のお手元に確実に届くようお取りはからいください。
- 本書は、内容について十分注意して作成していますが、万一不審な点がありましたら、販売店または弊社営業所までご連絡ください。
- 本書は、改良のため予告なく変更する場合があります。ご了承ください。
- 本書が焼失／破損などの理由により読めなくなった場合は、新しい取扱説明書を弊社営業所にてお買い求めください。

ご注意

株式会社ミマキエンジニアリングの保証規定に定めるものを除き、本製品の使用または使用不能から生ずるいかなる損害（逸失利益、間接損害、特別損害またはその他の金銭的損害を含み、これらに限定しない）に関して一切の責任を負わないものとします。

また、株式会社ミマキエンジニアリングに損害の可能性について知らされていた場合も同様とします。

一例として、本製品を使用したメディア等の損失や、作成された物によって生じた間接的な損失等の責任負担もしないものとします。

MBIS3 を使用したことによる金銭上の損害および逸失利益、または第三者からのいかなる請求についても、当社は一切その責任を負いかねますので、あらかじめご了承ください。

おねがい

- この取扱説明書は、内容について十分注意しておりますが、万一不審な点などがありましたら、販売店または弊社営業所までご連絡ください。
- この取扱説明書は、改良のため予告なく変更する場合があります。

本書の内容を無断で転載することは禁止されています。

© 株式会社ミマキエンジニアリング









All Rights Reserved. Copyright

安全にお使いいただくために




マーク表示について

本書では、マーク表示により操作上の注意内容を説明しています。
各マーク表示の持つ意味をご理解し、本機を安全に正しくお使いください。



マーク表示の例

内 容	
	「警告」マークは、指示を無視して誤った取り扱いをすると、人が死亡または重傷を負う可能性が想定される内容を示しています。必ずよくお読みになり、正しくお使いください。
	「注意」マークは、指示を無視して誤った取り扱いをすると、人が傷害を負う可能性が想定される内容および物的損害の発生が想定される内容を示しています。
	「重要」マークは、MBIS3 をお使いいただく上で、知っておいていただきたい内容が書かれています。操作の参考にしてください。
	「ヒント」マークは、知っておくと便利なことが書かれています。操作の参考にしてください。
	関連した内容の参照ページを示しています。
	△マークは、注意(危険・警告を含む)を促す内容があることを告げるものです。中に具体的な注意事項(左図の場合は感電注意)が描かれています。
	⊘記号は、禁止の行為であることを告げるものです。図の中や近傍に具体的な禁止内容(左図の場合は分解禁止)が描かれています。
	●記号は、行為を強制したり、指示する内容を告げるものです。図の中に具体的な指示内容(左図の場合は差し込みプラグをコンセントから抜いてください)が描かれています。

設置上のご注意

 注 意	
次のような場所には設置しない	
 <ul style="list-style-type: none"> • 直射日光が当たる場所 • 水平でない場所 • 振動が発生する場所 • エアコンなどの風が直接当たる場所 • 火を使う場所 	 <ul style="list-style-type: none"> • 温度や湿度の変化が激しい場所（推奨する使用環境は、接続するプリンターによって異なります。プリンターの取扱説明書をご確認ください。）

警告事項

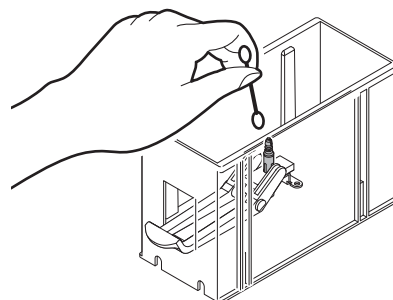
 警 告	
インクの取り扱い	
 <ul style="list-style-type: none"> • MBIS3 で使用する専用インクは、危険物第 4 種第 2 石油類、または危険物第 4 類第 3 石油類に該当します。よって、引火する可能性があるため、MBIS3 を使用する場所は、火気厳禁としてください。 	 <ul style="list-style-type: none"> • 換気の悪い部屋や密閉された部屋で使用する場合は、必ず換気装置を設けてください。また、蒸気を大量に吸い込んで気分が悪くなった場合は、直ちに空気の新鮮な場所へ移動し、暖かくして安静にしてください。 • 誤ってインクを飲み込んだ場合は、安静にして直ちに医師の診断を受けてください。嘔吐物は飲み込まないでください。その後、毒物管理センターへご連絡ください。 • インクは有機溶剤を使用しています。皮膚に付着した場合は、直ちに石けん水で洗った後、水で十分に洗い流してください。万一、インクが目に入った場合は、直ちに大量の清浄水で 15 分以上洗い流し、まぶたの裏まで完全に洗い流してください。その後、できるだけ早く医師の診察を受けてください。 • インクパックは子供の手の届かないところに保管してください。
 <ul style="list-style-type: none"> • 2L エコケースを台座から取り外すときは、ゴーグル等を着用してください。インクが飛んで目に入る可能性があります。 	
中間カートリッジの抜き差しは極力しない	
 <ul style="list-style-type: none"> • 中間カートリッジの抜き差しは必要最小限度にとどめてください。インク漏れの原因となります。 • 中間カートリッジを使用しないときは、スロットから完全に抜いてください。抜き取った中間カートリッジは、インク漏れ防止のため、先端にゴムキャップを押し込んで保管してください。 <ol style="list-style-type: none"> 1. 中間カートリッジを完全に抜き取る 2. 中間カートリッジの IC チップ側についているゴムキャップを取り外す 3. 中間カートリッジの先端 (IC チップと反対側) にゴムキャップを押し込み、インク漏れを防止する • 中間カートリッジを引き抜く際、ストッパーがあるのでそれ以上引き出さないでください。(30cm 以内) チューブが折れ、吐出不良が発生します。 	<p style="text-align: center;">ゴムキャップ</p>  <p style="text-align: right;">押し込む</p>
分解・改造はしない	湿気の多い場所では使用しない
 <ul style="list-style-type: none"> • MBIS3 やインクパックの分解・改造は、絶対にししないでください。故障の原因になります。 	 <ul style="list-style-type: none"> • 湿気の多い場所の使用や、MBIS3 に水をかけないでください。故障の原因になります。

⚠ 注意

MBIS3 の取り扱い



- MBIS3 を使用しないときも、2L インクパックをセットした状態にしておいてください。2L インクパックをセットしていないと、台座中央部にあるオスコネクタ先端のインクが固まり、プリンターへのインク供給ができなくなったり、インク漏れなどの原因となります。
インクが固まった場合、綿棒に専用の洗浄液を付け、固化したインクを取り除いて下さい。
- 2L インクパックが入っていない2L エコケースを架台にセットしないでください。空気が混入して吐出不良が発生します。



専用インクを使う

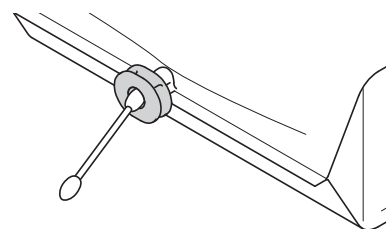


- 必ず、接続するプリンターの専用インクをお使いください。専用インク以外のインクでは、プリンターの保護のため動作しません。

2L インクパックについて



- インクパックを寒い場所から暖かい場所に移動した場合は、3 時間以上室温環境下に放置してから使用してください。
- インクパックは、取り付ける直前に開封してください。
開封した状態で長時間放置すると、正常に作図できない場合があります。
- インクパックは冷暗所で保存してください。
- インクパックは、開封してから 3ヶ月以内に使い切ってください。開封後、長期間経過したインクで作図すると、作図品質低下の原因になります。
- 使いかけの 2L インクパックを台座から取り外したときは、綿棒などを使用して 2L インクパックのコネクタ部内側に付着しているインクを拭き取ってください。
コネクタ部内側のインクが乾燥すると、再使用するときにインク漏れの原因となります。



- MBIS3 設置後にインクの種類や色を変更する場合、中間カートリッジ、インクチューブ、スパウトゴム、台座の交換が必要です。販売店または弊社営業所までサービスコールしてください。



- インクパック内のインクを詰め替えないでください。
- インクパックに衝撃を与えたり、激しく振り回さないでください。インクパックからインクが漏れる場合があります。

インクスロットは空いたままにしない



- インクスロットを長時間空いたままにしないでください。スロット部分が乾燥し、装置内でインクが固まるなど、インク供給ができなくなることがあります。
- インクスロットにインクカートリッジがセットされていないと、プリンターのディスプレイにインクカートリッジのセットを促すエラーメッセージが表示されます。前に使用していたインクと同色のインクカートリッジをセットしてください。

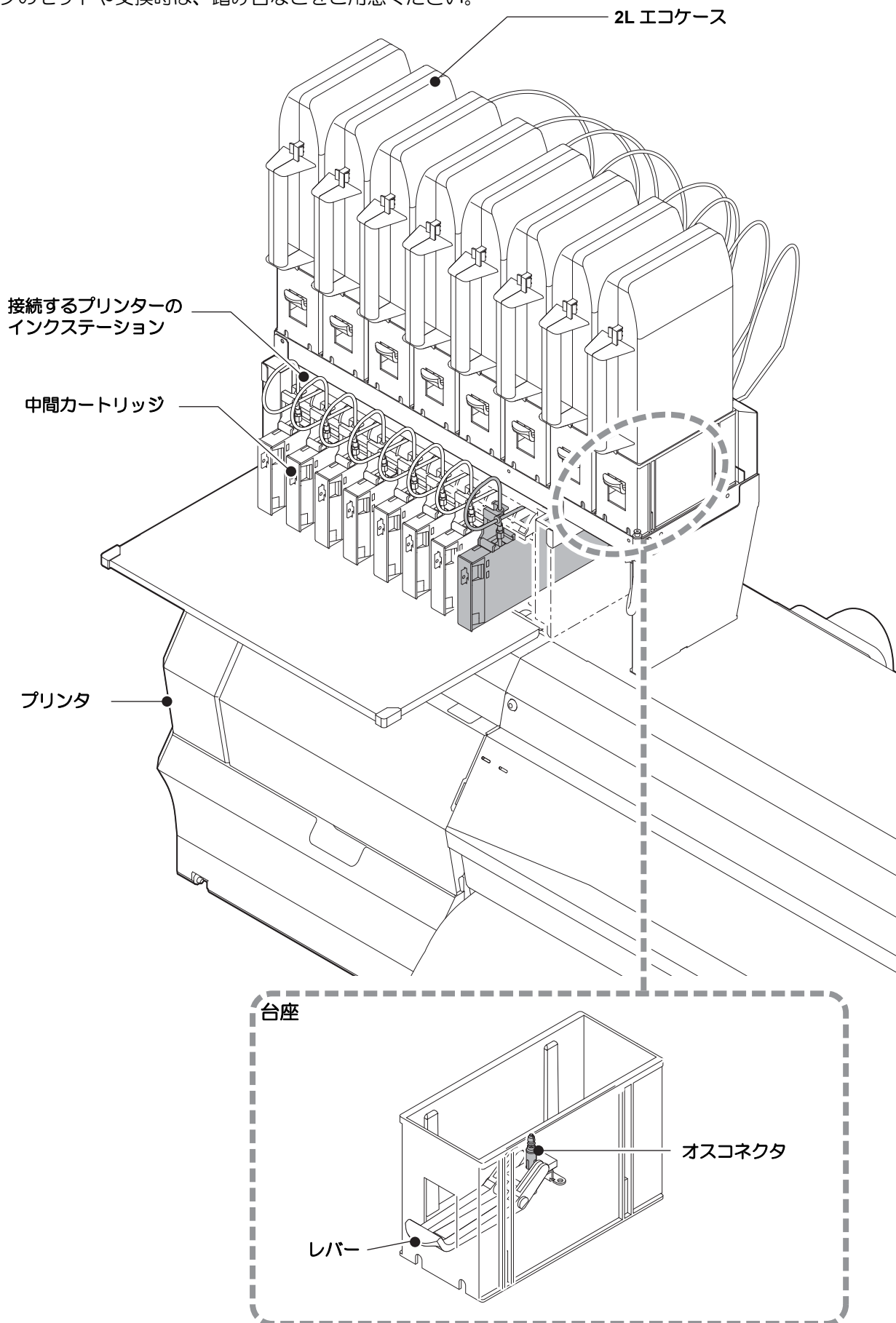
チューブの折れについて



- 露出しているチューブは、以下の状況で折らないように注意してください。
チューブの折れが発生した場合、交換が必要になります。販売店または弊社営業所までサービスコールしてください。
 1. メディアセットなどで本体背面へ移動する場合
 2. 中間カートリッジを抜いて手前に大きく引き出す場合
 3. 2L インクパックを交換する場合

各部の名称

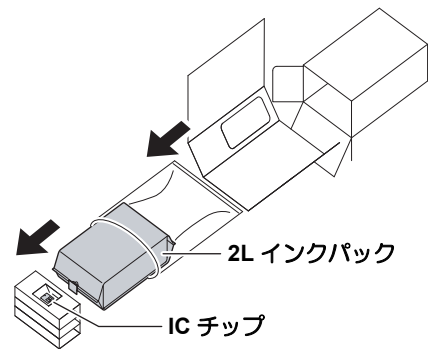
MBIS3 のインク供給システムは水頭圧を利用しているため、2L エコケースを高い位置に設定しています。インクのセットや交換時は、踏み台などをご用意ください。



インクをセットする

1 2L インクパックを用意する

- ・小さい段ボールからインクパックと IC チップを取り出します。

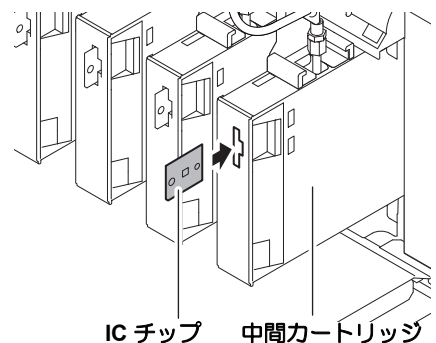
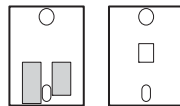


2 IC チップを中間カートリッジに取り付ける



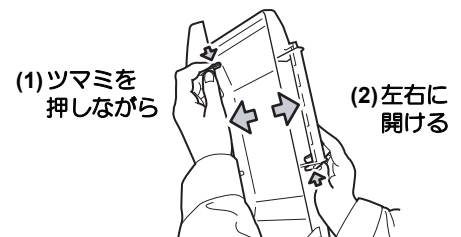
■IC チップの向きに注意してセットしてください。
IC チップが正しくセットされていないと、正常にインクの供給が行われません。

金属がついている方を左側にして差し込む。
セットするときは、金属部分に触れないようにしてください。(静電気による IC チップ破壊の恐れがあります。)

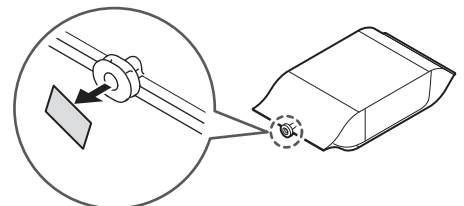


3 2L インクパックを 2L エコケースに入れる

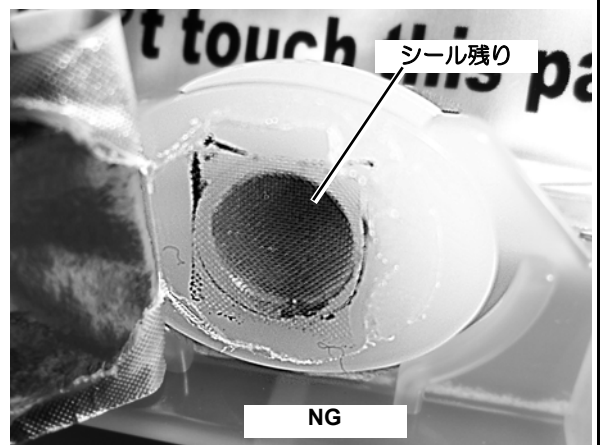
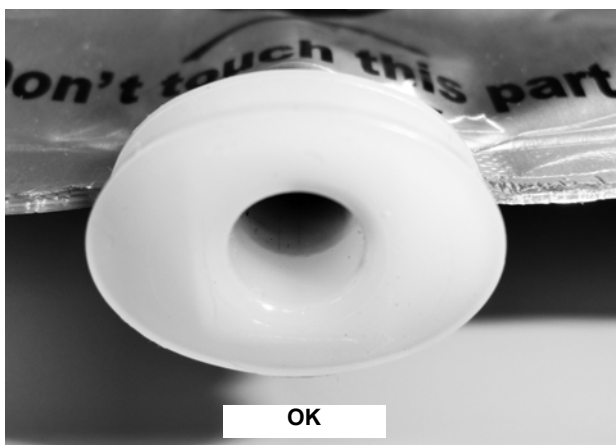
- (1) 図のようにして、2L エコケースを開ける



- (2) 2L インクパックのコネクタ部に着いているシールを剥がす



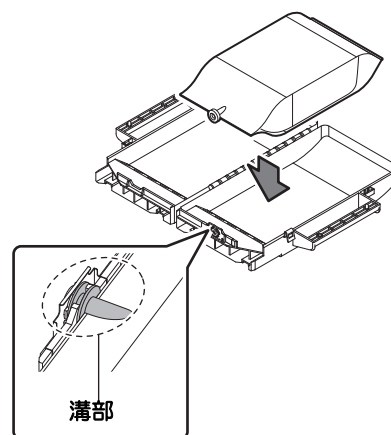
■シール残りがあると、2L インクパックを台座から取り外した際、インクが大量に漏れる可能性があります。かならずシール残りがないように注意してください。



- (3) コネクタ部を下にして 2L インクパックを入れ、2L エコケースを閉じる



- 2L インクパックを入れるときは、2L エコケース内にあるラベルに従って、形を整えてください。形を整えずにインクパックを入れると、インクを使い切れない場合があります。
- 2L エコケースを閉じる前に、2L エコケースの溝部にインクパックのコネクタが合っていることをご確認ください。コネクタが溝部に合っていない状態になると、インク供給ができなくなることがあります。

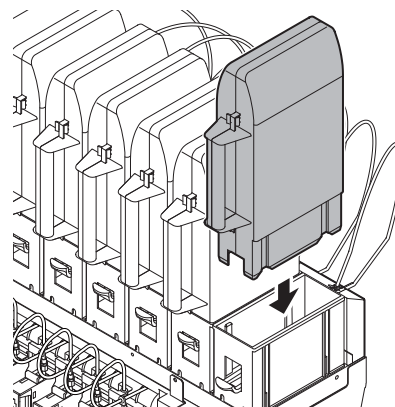


4 2L エコケースを台座に取り付ける

- 2L エコケースから接続しているプリンターにインクが供給されます。
- 1～2分すると、接続しているプリンターの EMPTY ランプが消灯します。



- 2L エコケースは、奥までしっかりと押し込んでください。十分に押し込まれていないと、インクが供給されない場合があります。



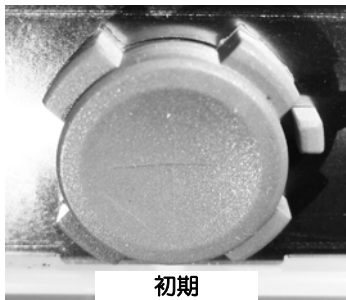
スパウトゴム Assy を交換する

エコケースには、2L インクパックからのインク漏れ低減のために、スパウトゴムが実装されています。

スパウトゴムはサプライ品です。(SPA-0250: 2L ケースゴム栓 8 セット入り)

交換時期 (半年) をワーニングでお知らせします。ワーニングが表示されたら、スパウトゴム Assy を交換してください。

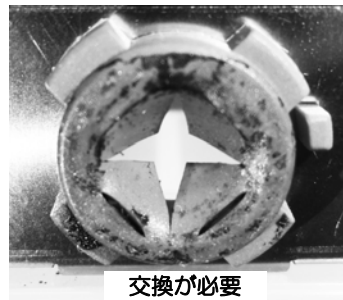
- 重要!**
- スパウトゴム Assy は、8 セットすべて同時に交換してください。
 - 使用環境や使用条件により、スパウトゴムが半年以内に劣化する場合があります。写真のように中央のすき間が広がった場合、ワーニングメッセージにかかわらず交換してください。



初期



使用可能



交換が必要



- ワーニング表示以外で交換する場合、下記の手順でカウンタをリセットしてください。
 - (1) ローカルで、**(FUNC1)** キーを押して「情報」を選び、**(ENTER)** キーを押す
 - (2) 「使用状況」を選び、**(ENTER)** キーを押す
 - (3) **(FUNC3)** キーを押す
 - (4)

エコケース/スパウトゴム 交換 クリア しますか?	[ENT]
------------------------------	-------

 を表示したら **(ENTER)** キーを押して、カウンタをリセットする



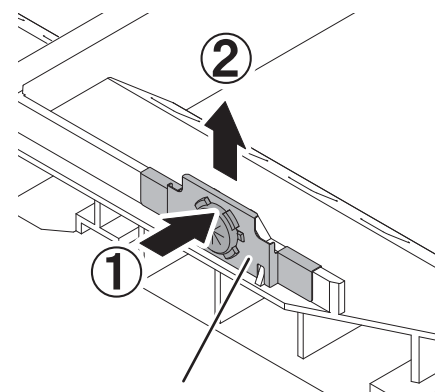
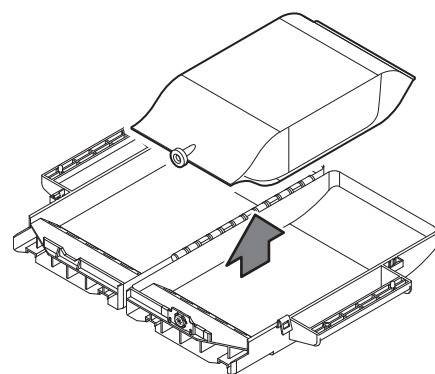
- 2L インクパックを交換するときは、ゴーグルと手袋を着用してください。誤って、インクが目に入る可能性があります。

1 2L エコケースを開ける

2 2L インクパックを取り出す

3 スパウトゴム Assy を取り外す

- スパウトゴム Assy の上側を押しながら、垂直に引き抜く



スパウトゴム Assy

4 新品のスパウトゴム Assy を取り付ける

2L インクパックを交換する

インクがなくなると、接続しているプリンターのディスプレイにメッセージが表示されます。(詳しくは、プリンターの取扱説明書をご参照ください)

インクがなくなったときは、次のようにして 2L インクパックを交換してください。



■2L インクパックを交換するときは、ゴーグルを着用してください。誤って、インクが目に入る可能性があります。



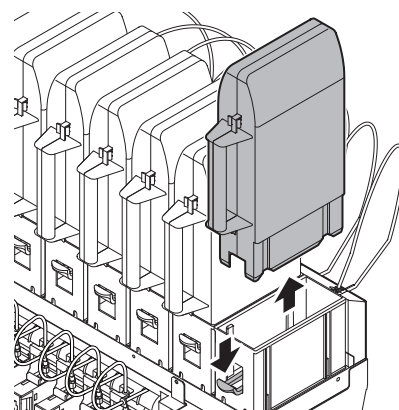
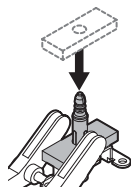
・使用後、インクパックに 10cc 程度のインクが残りますが、実使用量が 2L になるよう充填されています。

1 台座についているレバーを押し下げ、2L エコケースを取り外す

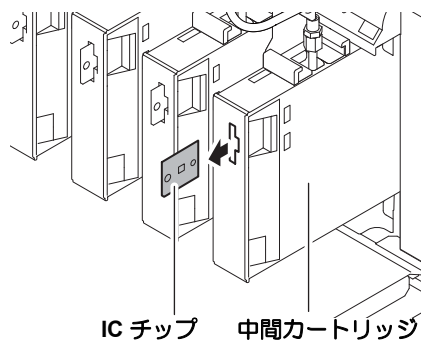


2L インクパック交換時、定期的におスコネクタ吸収剤(付属品)を交換することで、台座内の汚れを防止することができます。

- ・2L インクパックの交換 5～10 回に 1 回の割合で、吸収剤を交換してください。
- ・吸収剤交換時は、必ず付属のゴーグルと手袋を着用してください。



2 中間カートリッジにセットされている IC チップを取り外す



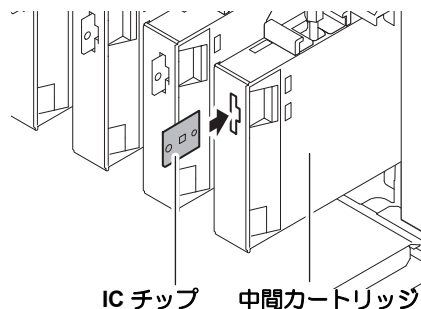
3 2L エコケースを開け、2L インクパックを交換する

- ・手順 2 で取り外した IC チップは、使い終わった 2L インクパックと一緒にしておいてください。(新しい 2L インクパックの IC チップを混同しないようにするため)

4 交換する2Lインクパックに付属しているICチップを中間カートリッジに取り付ける



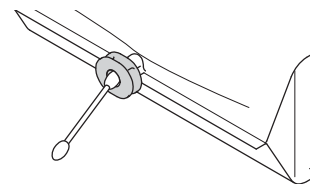
■ICチップの金属部分には触れないようにご注意ください。静電気が発生し、ICチップが破壊する恐れがあります。



■空になった2Lインクパックは、産業廃棄物処理業者に処理を依頼してください。

■2Lインクパックを使いかけの状態を取り外すときは、次のようにしてください。インクの残量を正確に管理できなくなります。

1. 2Lエコケースから使いかけの2Lインクパックを取り外す
2. 綿棒などを使い、2Lインクパックのコネクタ部の内側に付着したインクを拭き取る
3. 中間カートリッジにセットしているICチップを取り外し、2Lインクパックと一緒に保管する
4. 再度使用するときは、2Lインクパックをセットし、一緒に保管しておいたICチップを中間カートリッジにセットする



インクエラーが発生したら

インクエラーが発生すると、プリンターのディスプレイにワーニングメッセージを表示し、プリントやクリーニングなど、インク吐出に関する動作は全てできなくなります。

インクエラーが発生すると：ローカルのインク残量アイコンに「x」が表示されます。

インクエラーの詳細を表示させるには

(1) ローカルモードで【ENTER】キーを押す。



- ここでは、MBIS3 固有のワーニングメッセージをお知らせします。その他のワーニングエラーについては、プリンターの取扱説明書をご参照ください。
- ワーニングエラーの詳細表示方法について、詳しくはプリンターの取扱説明書をご参照ください。

表 示	原 因	対処方法
カートリッジ ナシ	中間カートリッジがセットされていない	• 中間カートリッジを確実にセットしてください。
	中間カートリッジに IC チップを挿入していない	• IC チップを挿入してください。
	IC チップを正しく読み取れない	• サービスコールしてください。
カートリッジ イジヨウ	2L インクパックを交換したのに、新しい IC チップに交換しなかった	• インク切れなどで 2L インクパックを交換したとき、古い 2L インクパック用の IC チップをそのままお使いになると、新しい 2L インクパックのインク情報をプリンターは検出できません。2L インクパックを交換したら、交換したインクパックに付属している IC チップを中間カートリッジにセットしてください。
インクニアエンド / インクエンド	中間カートリッジ内のインク残量が少なくなった	<ul style="list-style-type: none"> • 中間カートリッジ内のインク残量が少なくなってくると、“インクニアエンド”や“インクエンド”になります。カートリッジ LED が黄色点灯してお知らせしますので、早めに 2L インクパックを交換することをお勧めします。2L インクパックを交換することで中間カートリッジ内にインクが供給され、自動的にインクニアエンド / インクエンドは解消されます。 • 作図中やクリーニング中に 1 供給経路でインクエンドになると、動作は即時停止しますので、ご注意ください。 • インクニアエンド / インクエンドを表示しているときに 2L インクパックを交換しても、すぐにはエラー表示は解除されません。中間カートリッジにインクが供給されるまでしばらくお待ちください。エラー状態が解除されると、作図、クリーニングなどが可能となります。
	インク供給チューブが折れている。	• 交換が必要になります。サービスコールしてください。
エコケースのスパウトゴムを交換してください。	エコケースのスパウトゴムが交換時期になった	• スパウトゴムを交換してください。(P. 25)

故障？と思う前に

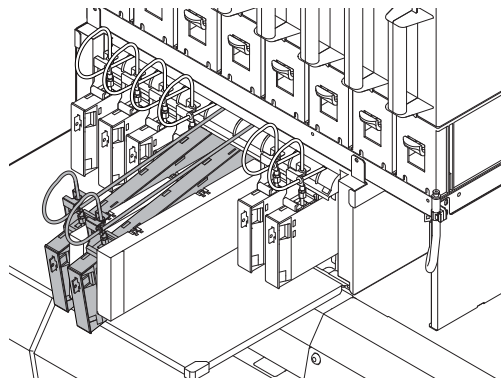
故障？と思う前にもう一度確認してください。対処しても正常に戻らない場合は、販売店または弊社営業所にご連絡ください。

現象	原因	対処方法
インクを供給できない	2L エコケースが台座に十分押し込まれていない	• 2L エコケース29スを上から押し、台座に十分押し込んでください。
	2L エコケース内にインクパックがセットされていない	• 2L エコケース内にインクパックがセットされているか確認してください。セットされていない場合には、インクパックをセットしてください。
	2L エコケースがセットされていない	• 2L インクパックをセットしたエコケースを台座にセットしてください。
	2L インクパック内のインクが無くなっている	• 2L エコケース内のインクパックを交換してください。その際、IC チップも一緒に交換してください。
	インク供給チューブが折れている	• インク供給チューブが折れていないか確認してください。折れている場合は、サービスコールしてください。
	中間カートリッジが十分に押し込まれていない	• 中間カートリッジを奥まで押し込んでください。
	(台座) 台座のオスコネクタに固化したインクが付着している	• 綿棒に専用の洗浄液を付け、インクを取り除いてください。(☞ P. 31)
インク漏れが発生する	(供給経路) 中間カートリッジ上部のネジがゆるんでいる	• ネジを締め直してください。 • ネジを締め直してもインク漏れが発生する場合は、サービスコールしてください。
	(2L インクパック) 2L インクパックのコネクタ部にシール残りがあある。(☞ P. 23)	• 新品のインクパックに交換してください。
	(2L インクパック) 2L インクパックのコネクタが破損している	• 新品のインクパックに交換してください。
	(2L インクパック) スパウトゴムが劣化している	• スパウトゴムを交換してください。(☞ P. 25) 交換後 [情報] - [使用状況] - [スパウトゴム] で [FUNC3] キーを押し、カウンタをリセットしてください。
	(台座) 台座のオスコネクタに固化したインクが付着している	• 綿棒に専用の洗浄液を付け、インクを取り除いてください。(☞ P. 31)
	(中間カートリッジ) 先端のゴム栓が劣化している	• サービスコールしてください。

こんなときには



■中間カートリッジの抜き差しは、最小限度にとどめてください。何度も中間カートリッジの抜き差しを行うと、インク漏れなどの原因となります。

こんなとき	対処方法
<p>MBIS3 の使用を止め、インクカートリッジを使用したいとき</p>	<ul style="list-style-type: none"> • 使用したい箇所のスロットにインクカートリッジをセットしてください。電源の再投入は不要です。
<p>インクカートリッジの使用を止め 初期充填済みの MBIS3 に切り替えるには</p>	<ul style="list-style-type: none"> • 初めて MBIS3 をご使用になる場合には、初期充填をする必要があります。販売店または弊社営業所にサービスコールをしてください。
	<ul style="list-style-type: none"> • 使用したい箇所のスロットに中間カートリッジをセットしてください。電源の再投入は不要です。
<p>一時的に MBIS3 からインクカートリッジの使用に切り替えたいとき</p>	<ul style="list-style-type: none"> • インクカートリッジの使用に切り替えるスロットの中間カートリッジを抜き、代わりにインクカートリッジをセットしてください。その際、抜いた中間カートリッジは、スロットの横に置いてください。 

注意・確認事項など

インクスロットは空いたままにしない

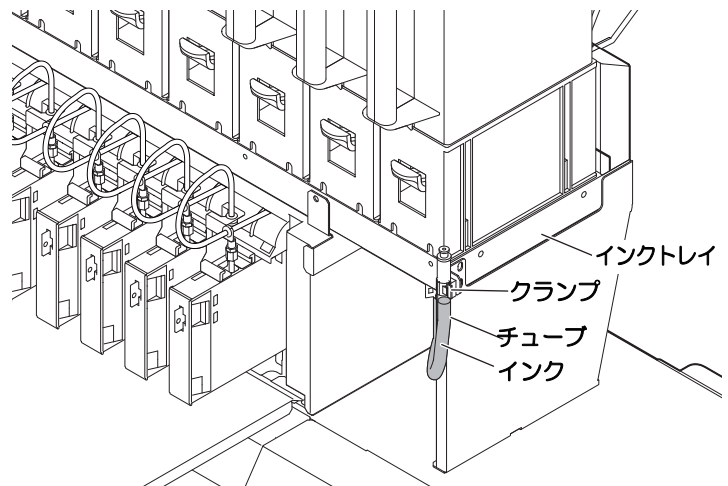
インクスロットを長時間空いたままにしないでください。スロット部分が乾燥し、装置内でインクが固まるなど、インク供給ができなくなることがあります。

インクスロットにインクカートリッジがセットされていないと、プリンターのディスプレイにインクカートリッジのセットを促すエラーメッセージが表示されます。前に使用していたインクと同色のインクカートリッジをセットしてください。

インクケース固定台内のインク確認

インクトレイにインクが溜まっていないか、定期的に確認してください。

インクが溜まっている場合、右図のチューブにインクが見えます。インクが見えた場合、チューブをクランプから外し、溜まったインクをカップなどに排出してください。



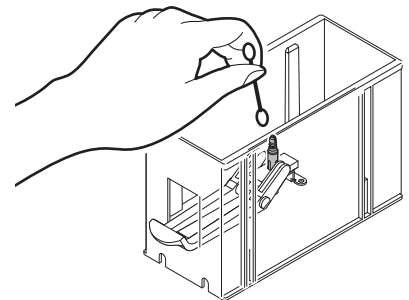
(重要!) ■インクトレイは、2L インクパック1本分漏れてもインクがあふれない構造となっています。

オスコネクタの乾燥防止

2L エコケースを台座から外した状態で長時間放置しないでください。

オスコネクタが乾燥すると、インク詰まりなどの原因になります。インクが固まった場合、綿棒に専用の洗浄液を付け、固化したインクを取り除いて下さい。

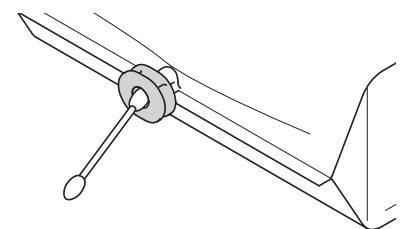
インクが終了してしまった場合などでも、空の2L インクパックをセットしオスコネクタが乾燥しないようにしてください。



2L インクパックコネクタ部の乾燥防止

使いかけの2L インクパックを台座から取り外したときは、綿棒などを使用して2L インクパックのコネクタ部内側に付着したインクを拭き取ってください。

コネクタ部内側のインクが乾燥すると、再使用するときインク漏れの原因となります。



2L エコケースセットの注意

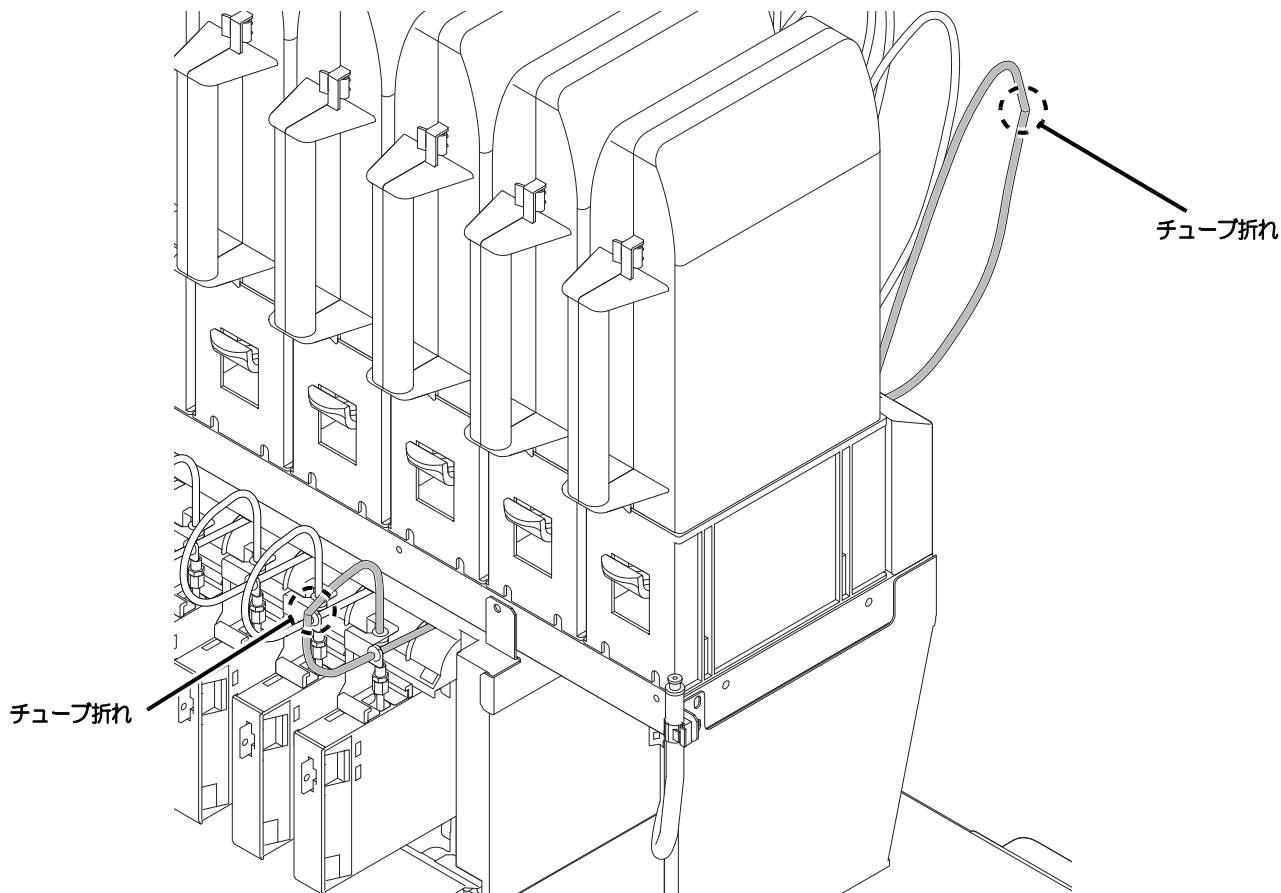
2L インクパックを入れていない2L エコケースを台座にセットすると、オスコネクタから空気が混入して吐出不良が発生します。

2L インクパックを入れていない2L エコケースは、台座にセットしないでください。

チューブ折れ

2L インクパックの残量があるにもかかわらずインクニアエンド/インクエンドが発生する場合、チューブが折れている可能性があります。

その場合は交換が必要になるため、サービスコールしてください。



中間カートリッジを使用しないときの注意

中間カートリッジを使用しないときは、インクスロットから完全に抜き取ってください。

抜き取った中間カートリッジは、インク漏れ防止のため、先端にゴムキャップを押し込んで保管してください。

1. 中間カートリッジを完全に抜き取る
2. 中間カートリッジの IC チップ側についているゴムキャップを取り外す
3. 中間カートリッジ先端にゴムキャップを押し込みインク漏れを防止する



■ 中間カートリッジの抜き差しは、最小限度にとどめてください。何度も中間カートリッジの抜き差しを行うと、インク漏れなどの原因となります。

■ 中間カートリッジを引き抜く際、ストッパーがあるのでそれ以上引き出さないでください。(30cm 以内) チューブが折れ、吐出不良が発生します。

ゴムキャップ

