

Safety Precautions

UV INKJET PRINTER UJF-3042 MkII Series UJF-6042 MkII UJF-6042 MkII e

Safety Precautions 安全上の注意

English

CAUTION	3
Foreword	4
For safe operation	4
Position of the warning label	10

日本語

ご注意	12
はじめに.....	12
安全にお使いいただくために	13
警告ラベルについて.....	18

MIMAKI ENGINEERING CO., LTD.

<https://mimaki.com>
<https://japan.mimaki.com>

D203058-41

CAUTION

DISCLAIMER OF WARRANTY

THIS LIMITED WARRANTY OF MIMAKI SHALL BE THE SOLE AND EXCLUSIVE WARRANTY AND IS IN LIEU OF ALL OTHER WARRANTIES, EXPRESS OR IMPLIED, INCLUDING, BUT NOT LIMITED TO, ANY IMPLIED WARRANTY OF MERCHANTABILITY OR FITNESS, AND MIMAKI NEITHER ASSUMES NOR AUTHORIZES DEALER TO ASSUME FOR IT ANY OTHER OBLIGATION OR LIABILITY OR MAKE ANY OTHER WARRANTY OR MAKE ANY OTHER WARRANTY IN CONNECTION WITH ANY PRODUCT WITHOUT MIMAKI'S PRIOR WRITTEN CONSENT.

IN NO EVENT SHALL MIMAKI BE LIABLE FOR SPECIAL, INCIDENTAL OR CONSEQUENTIAL DAMAGES OR FOR LOSS OF PROFITS OF DEALER OR CUSTOMERS OF ANY PRODUCT.

Requests

- This Operation Manual has been carefully prepared for your easy understanding, however, please do not hesitate to contact your local distributor or our sales office if you have any inquiry.
- Description contained in this Operation Manual are subject to change without notice for improvement.

FCC Statement (USA)

This equipment has been tested and found to comply with the limits for a Class A digital device, pursuant to Part 15 of the FCC Rules. These limits are designed to provide reasonable protection against harmful interference when the equipment is operated in a commercial environment. This equipment generates, uses and can radiate radio frequency energy and, if not installed and used in accordance with the operation manual, may cause harmful interference to radio communications.

Operation of this equipment in a residential area is likely to cause harmful interference in which cause the user will be required to correct the interference at his own expense.



- In the case where MIMAKI-recommended cable is not used for connection of this device, limits provided by FCC rules can be exceeded. To prevent this, use of MIMAKI-recommended cable is essential for the connection of this machine.

Interference to televisions and radios

The product described in this manual generates low radio waves while it is in operation. The product can interfere with radios and televisions if set up or commissioned under improper conditions. The product is not guaranteed against any damage to specific-purpose radios and televisions.

The product's interference with your radio or television will be checked by turning on/off the power switch of the product.

In the event that the product is the cause of interference, try to eliminate it by taking one of the following corrective measures or taking some of them in combination.

- Change the direction of the receiving antenna or the feeder of your radio/television.
- Move the receiver away from the product.
- Plug the power cord of this machine into an outlet which is isolated from power circuits connected to the television set or radio.

CDRH REGULATION

The Center for Devices and Radiological Health for the U.S. Food and Drug Administration Implement regulations for laser products. The sentence of "This product complies with 21 CFR chapter I and subchapter J" indicates compliance with the CDRH regulations and is labeled on the product when marketed in the United States. This Model is equivalent to Class II laser device according to CDRH Regulation.

This product complies with 21 CFR chapter I and subchapter J



- Use of controls, adjustments or performance of procedures other than those specified in this manual may results in hazardous radiation exposure.

Restriction in use

Kebab HS system which is option for UJF-3042 MkII e, UJF-3042 MkII EX e, and the UJF-6042 MkII e is classified as Risk Group 3 according to IEC62471/ IECTR62471-2.

Therefore, UJF-3042 MkII e, UJF-3042 MkII EX e, and UJF-6042 MkII e should be used in compliance with the "Restriction in use".

UJF-3042 MkII, UJF-3042 MkII EX, and UJF-6042 MkII are not compatible with the optional Kebab HS system and there are no restrictions on their use.

Restriction in use

Use of UJF-3042MkII e, UJF-3042MkII EX e, and UJF-6042MkII e are limited to the user who understands this dangerousness completely.



- When using UJF-3042 MkII e, UJF-3042 MkII EX e, and UJF-6042 MkII e, wear gloves and long-sleeve cloth, then protect your eyes with the attached light-resistant glasses.

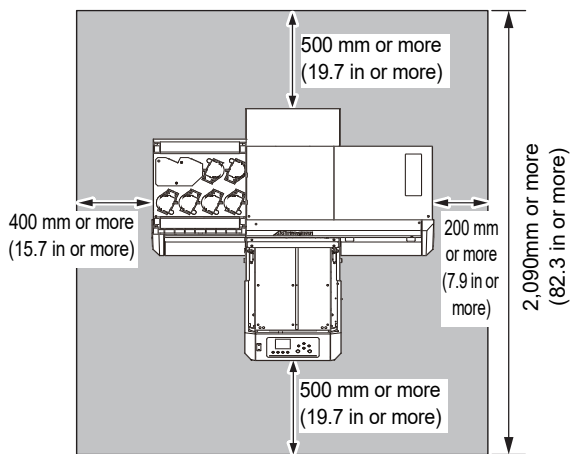
Restriction for user

The user of UJF-3042 MkII e, UJF-3042 MkII EX e, and UJF-6042 MkII e shall get proper training. Limit to the user those who got proper training to operate.

Restriction area

Set up the restriction area for UJF-3042 MkII e, UJF-3042 MkII EX e, and UJF-6042 MkII e within the range indicated below.

Do not let the person other than the user who got proper training close to the machine.



UJF-3042MkII/3042MkIIEX/3042MkII e/3042MkIIEX e:
1,955 mm or more(77.0 in or more)
UJF-6042MkII/6042MkII e:
2,265 mm or more(89.2 in or more)

Foreword

Congratulations on your purchase of a MIMAKI "UJF-3042MkII / UJF-3042MkII EX / UJF-6042MkII / UJF-3042MkII e / UJF-3042MkII EX e / UJF-6042MkII e" model of UV ink jet printer.

UV Inkjet Printer UJF-3042MkII / UJF-3042MkII EX / UJF-6042MkII / UJF-3042MkII e / UJF-3042MkII EX e / UJF-6042MkII e uses ultraviolet ray curing ink (UV ink).

Read this Operation Manual carefully and make the most effective use of your printer.

On this operation manual

- This Operation Manual describes the operation and maintenance of Model UJF-3042MkII / UJF-3042MkII EX / UJF-6042MkII / UJF-3042MkII e / UJF-3042MkII EX e / UJF-6042MkII e Color Ink Jet Printer (hereinafter referred to as the machine).
- Please read and fully understand this Operation Manual before putting the machine into service. It is also necessary to keep this Operation Manual on hand.
- Make arrangements to deliver this Operation Manual to the person in charge of the operation of this machine.
- This Operation Manual has been carefully prepared for your easy understanding, however, please do not hesitate to contact a distributor in your district or our office if you have any inquiry.
- Description contained in this Operation Manual are subject to change without notice for improvement.
- In the case where this Operation Manual should be illegible due to destruction or lost by fire or breakage, purchase another copy of the Operation Manual from our office.
- You can also download the latest operation manual from our website.

Reproduction of this manual is strictly prohibited.
All Rights Reserved. Copyright
© 2016 MIMAKI ENGINEERING CO., LTD.







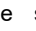




For safe operation

Symbols

Symbols are used in this Operation Manual for safe operation and for prevention of damage to the machine. The indicated sign is different depending on the content of caution.

Symbols and their meanings are given below. Please follow these instructions as you read this manual.

Examples of symbols

Meaning	
	Failure to observe the instructions given with this symbol can result in death or serious injuries to personnel. Be sure to read it carefully and use it properly.
	Failure to observe the instructions given with this symbol can result in injuries to personnel or damage to property.
	Important notes in use of this machine are given with this symbol. Understand the notes thoroughly to operate the machine properly.
	Useful information is given with this symbol. Refer to the information to operate the machine properly.
	Indicates the reference page for related contents.
	The symbol "  " indicates that the instructions must be observed as strictly as the CAUTION instructions (including DANGER and WARNING instructions). A sign representing a precaution (the sign shown at left warns of hazardous voltage) is shown in the triangle.
	The symbol "  " indicates that the action shown is prohibited. A sign representing a prohibited action (the sign shown at left prohibits disassembly) is shown in or around the circle.
	The symbol "  " indicates that the action shown must be taken without fail or the instructions must be observed without fail. A sign representing a particular instruction (the sign shown at left instructs to unplug the cable from the wall outlet) is shown in the circle.

WARNING



- Be sure to setup the appropriate air-moving system in case of using this machine in a closed room or a room with bad ventilation.

Cautions for constructing exhaust outlet.

Please observe the following cautions to avoid breakdown of this machine.

- (1) The opening area of the exhaust outlet requires more than half of the duct entrance area.
- (2) If mounting a valve on the exhaust outlet, be sure to open the valve when using the machine.



- The included power cable set can be used with this machine only. This power cable set cannot be used with any other electrical devices. To prevent a fire or electric shock, do not use any power cable set other than the one included.



- The ink used for this machine falls into the category of UN No.3082 and UN Class 9. Since the ink is flammable, never use fire when using the machine.



- When cleaning the heads, be sure to wear the included safety glasses and gloves.



- The gloves supplied with the machine are disposable. When all the gloves are expended, purchase an equivalent product on the market.



- If anyone swallows ink or cleaning solution in mistake, get the person to vomit and see a doctor immediately. Do not let him or her swallow the vomit. Then, refer SDS about the inquiry.

- If you inhale a lot of vapor and feel bad, immediately move to a location of fresh air and then keep yourself warm and quiet. Then, consult a doctor as soon as possible.

- Discard the waste ink according to the local regulations of the area that this machine is used.



- The set of power cables provided with this machine is for use with this machine only, and cannot be used with other electrical devices. Do not use any power cables other than the ones provided with the machine. Failure to observe those instructions may result in fire or electric shocks.

- Take care not to damage, break or work upon the power cable. If a heavy material is placed on the power cable, or if it is heated or pulled, the power cable can break, thus resulting in fire or electric shocks.

- Do not use this machine in an environment where humidity is high or the machine may get wet. Using the machine under such environment may result in fire or electric shock, or cause malfunction.

WARNING



- Use of the machine under an abnormal condition where it produces smoke or strange smell can result in fire or electric shocks. If such an abnormality is found, be sure to turn off the power switch immediately and unplug the cable from the wall outlet. Check first that the machine no longer produces smoke, and then contact your distributor or a sales office of MIMAKI for repair. Never repair your machine by yourself since it is very dangerous for you to do so.
- Never disassemble or remodel the main unit of the machine or the ink cartridge. Disassembly or remodeling can result in an electric shock or breakdown of the machine.
- Take care that no dust or dirt sticks to Media Transfer Surface heaters. Dust and dirt sticking heaters can cause fire.
- Do not use extension cords. Doing so may result in fire or electric shocks.
- Keep the power plug prong clear of any foreign object such as a piece of metal. Failure to do so may result in a fire or electric shocks.
- Do not plug too many leads into a single socket. Doing so may result in fire or electric shocks.
- Do not use the machine if the power cord or plug is damaged. Using the machine with damaged power cord may result in fire or electric shocks. Contact your service representative for replacement cord.
- Do not handle the power plug with wet hands. Doing so may result in electric shocks.
- Grasp by holding the plug itself when removing the power plug from wall outlet, and never hold by the cord. Holding and pulling the cord may damage the cord, leading to fire or electric shocks.
- To prevent a fire or electric shock, do not use the device at a power supply voltage other than the one indicated.
- To prevent a fire or electric shock, do not use the device at a power supply frequency other than the one indicated.
- Keep your fingers and other body parts away from dangerous moving parts of the device.
- If metals, water, liquids or similar foreign material enters the device, turn the power supply off immediately, make sure to disconnect the power plug, and contact the service center. Using the device without addressing the issue can result in a fire or electric shock.
- In case of ink leakage, please turn off the main power, unplug the power cable and contact your local distributor, our sales office, or service center.



- Keep children away from this machine.

Never do the following

WARNING

Do not disassemble or remodel the machine



- Never disassemble or remodel this machine and the ink bottle. Disassembling or remodeling any of them will result in electric shocks or breakdown of this machine.

Power supply and voltage



- Use this machine with indicated power specifications. Be sure to connect the power cable plug to the grounded outlet, or it may cause fire or electric shock.



- Never look at the LED UV being lit with your naked eyes, or it may cause pain in your eyes or visual impairment. Be sure to wear safety glasses.
- Do not apply ultraviolet (UV) light directly to your skin, or it may cause irritation on your skin.



- To prevent electrical shock, be sure to set OFF the main power circuit breaker and disconnect the power plug before carrying out maintenance. For some units, capacitors may take one minute for discharging; therefore, start maintenance work three minutes after setting OFF the main power circuit breaker and disconnecting the power plug.



- If LED UV has been damaged, you should replace the LED UV that has reached or has past its rating life.
- The main power circuit breaker should be set ON only by personnel with sufficient knowledge about operations of this machine.
- Do not touch the lamp with bare hands while lighting or right after the lamp off to avoid from burn injury.



- Although this machine is a Class 1 laser device, its laser sensors are equipped with Class 2 lasers. Never look directly at the laser light, as it can make your eyes hurt or damage your eyesight.



Do not use this machine in damp places



- Avoid damp environment to use this machine. Do not splash water onto this machine. High humidity or water will give rise to fire, electric shocks or breakdown of this machine.

WARNING**Abnormal event occurs**

- If the machine is used under an abnormal condition where the machine produces smoke or unpleasant smell, fire or electric shocks can result. Be sure to turn off the power switch immediately and detach the plug from the receptacle. Check first to be sure that the machine no longer produces smoke, and contact a distributor in your district for repair.
- Never repair your machine by yourself since it is very dangerous for you to do so.

Handling of ink bottles

- Some of the ingredients (UV Curing initiator) have toxic consequences to aquatic life. Avoid leak into water system or sewage containing water.
- Store ink bottles and waste ink tank in a place that is out of the reach of children.
- If ink settles on the skin or clothes, immediately wash it off with detergent or water. If you get ink in your eyes, immediately wash your eyes with a lot of clean water, and then consult a doctor as soon as possible.

Handling of LED UV

- Do not use the machine in a flammable atmosphere (such as gasoline, flammable sprays, thinners, lacquers, dust, etc.). It may cause a fire or electric shock by ignition.
- Do not bring paper or cloth close to the LED UV unit or cover LED UV unit with it. Doing so may cause fire.

Handling of the antifreeze liquid

- Use the exclusive antifreeze liquid, or the cooling device may be damaged.
- Do not directly touch the antifreeze liquid. If the antifreeze liquid or mixed soft water with antifreeze liquid gets on the skin or clothes, immediately wash it off with soap. If you get the antifreeze liquid in your eyes, immediately wash your eyes with a lot of clean water. Then, consult a doctor as soon as possible.
- Before using the antifreeze liquid, be sure to read the Safety Data Sheet (SDS).
- If you swallowed the antifreeze liquid accidentally, try to get to vomit, and then consult a doctor as soon as possible.
- Discard the waste antifreeze liquid or used mixed soft water with antifreeze liquid as follows;
Absorb in a sawdust or waste cloth, then incinerate it.
Entrust to an industrial waste disposal contractor, clarifying their contents.
- Avoid causing ignition with static electricity, impact spark and so on.
- Be sure to wear safety glasses and gloves for handling the antifreeze liquid.

**WARNING****Circulating water**

- If you find any water leaks on the maintenance parts, turn the power switch off immediately, and remove the power plug from the power socket.

Note on maintenance

- When cleaning the ink-station or the heads, be sure to wear the included safety glasses and gloves.
- The gloves supplied with the machine are disposable. When all the gloves are expended, purchase an equivalent product on the market.













- Keep ink away from an open flame. Also keep the room well ventilated when you use or handle ink.
- If you get ink in your eyes, immediately wash your eyes with a lot of clean water for at least 15 minutes. In doing so, also wash eyes to rinse ink away completely. Then, consult a doctor as soon as possible.
- If anyone drinks ink by mistake, keep him or her quiet and see a doctor immediately. Do not allow him or her to swallow the vomit.
- Then contact the emergency number written in SDS.
- If you inhale a lot of vapor and feel bad, immediately move to a location of fresh air and then keep yourself warm and quiet. Then, consult a doctor as soon as possible.
- If the ink adheres to your skin, use a large amount of water and soap or special detergent.








Precautions for use**CAUTION****Warning labels**

- Warning labels are adhered on this machine. Be sure to fully understand the warnings given on the labels. In the case where any of the warning label has become so soiled that the warning message is illegible or has come off, purchase a new one from your local distributor or our office.

Ink bottles

- If the ink bottle is moved from a cold place to a warm place, leave it in a place of use for three hours or more and use it.
- Open the ink bottle just before installing. Leaving it open for a long time will cause abnormal printing.
- Be sure to store ink bottles in a cold and dark place.
- Once the ink opened, be sure to use ink up early. The ink passed for a long time after opening the bottle will lower the printing quality.

 CAUTION	
	<ul style="list-style-type: none"> Using other than exclusive ink will break this machine. In this case, repairing of this machine is your responsibility. Never refill the ink bottle with ink. Do not pound the ink bottle nor shake it violently. If so, ink may leak out of the bottle.
Protection against dust	
	<ul style="list-style-type: none"> It is strongly recommended to use the machine in a room that is not dusty. Set the Refresh level 2 or 3 when in bad environment. Do not forget to close the front cover before going home in the evening. If any media is left on the printer, dust can put on it. Store media not to put dust on it. Wiping dust off the media, dust will be put on the media due to static electricity.
Handling of cleaning solution	
	<ul style="list-style-type: none"> Be sure to store the cleaning solution in a cold and dark place. Store the cleaning solution in a place that is out of the reach of children.
Handling the antifreeze liquid	
	<ul style="list-style-type: none"> Be sure to store the antifreeze liquid in a cold and dark place. Store the antifreeze liquid in a place that is out of the reach of children.
Hot parts	
	<ul style="list-style-type: none"> The LED UV device and the hot water will have a very high temperature. When carrying out maintenance, wait until the temperature has been sufficiently lowered after the lamp is turned OFF.
	<ul style="list-style-type: none"> When it is unavoidable to touch hot parts, be sure to wear heat-insulating gloves to protect your hands.
Power supply	
	<ul style="list-style-type: none"> Leave the breaker turned ON. Do not turn off the main power switch on the right side of this machine.
UV light	
	<ul style="list-style-type: none"> A little UV light spills around the LED UV unit. UV light applied to your skin might cause inflammation and/or skin cancer. Even weak UV light causing no inflammation may lead to chronic disorders by repeated exposure. Avoid applying UV light to your skin and eyes.
	<ul style="list-style-type: none"> Impairment of eyes caused by UV light may be acute disorders, pain in eyes, tearing, chronic disorders, cataract, etc. When using this machine, protect your body such as gloves, long-sleeve cloth, light-resistant mask, attached light-resistant glasses, etc.

 CAUTION	
Notes on LED UV	
	<ul style="list-style-type: none"> When handling the glass on the bottom of the LED UV unit, be sure to wear the gloves attached and never touch them with bare hands. Or the UV ink curing level may significantly lower. If the glass becomes dirty, wipe it with clean gauze moistened with alcohol. (Do not use alcohol for cleaning the exterior cover, or the paint will peel off.)
	<ul style="list-style-type: none"> The LED UV performance and service life are significantly affected by the UV irradiation and UV power supply units used. Never use those UV devices other than those recommended by Mimaki. We would take no responsibility for any troubles caused through the use of a UV devices not recommended by Mimaki.
Cleaning	
	<ul style="list-style-type: none"> After using this machine long time, foreign materials and dust may be gathered on the conductive and insulating parts, causing electric leakage. Periodically clean such parts. For cleaning, do not use compressed air because it scatters foreign materials and dust, which may cause malfunctions when put inside the conductive parts. Be sure to use vacuum cleaner to vacuum off foreign materials and dust. Do not use the machine in a place where there is a possibility of being wet, or electricity may leak. Electrical leakage may lead to electrical shock of personnel or fire. To prevent accidents, be sure to carry out periodic inspections and replace periodic replacement parts.
Periodic exchange parts	
	<ul style="list-style-type: none"> There are some parts which must be periodically replaced. Contract with distributors or dealers for maintenance.
Adjusting the level	
	<ul style="list-style-type: none"> Keep this machine horizontal.
Firing and smoking	
	<ul style="list-style-type: none"> Touching hot parts such as the LED UV with combustible materials may cause firing and/or smoking. Leaving combustible materials under the LED UV unit for a couple of minutes may also cause firing and/or smoking.

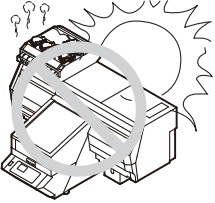
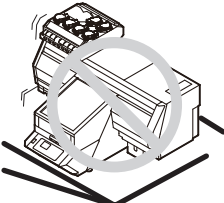
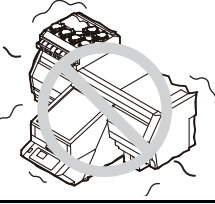
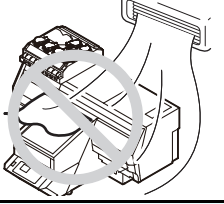

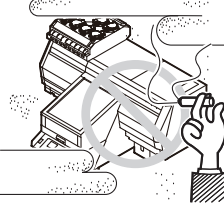
 **CAUTION**



- After this machine is used long time, foreign materials or dust gathered may cause electrical leakage, or insulation deterioration may cause firing and/or smoking. Periodically clean this machine and replace the deteriorated parts after the insulation resistance.
- After this machine is used long time, screws or others on the conductive parts may be loosened, causing firing and/or smoking. Periodically tighten the screws.
- This machine is not an explosion-proof type. Do not use the machine in a flammable atmosphere. There is a danger of explosion.
- If abnormalities such as a strange odor, a smoking or a spark burn occurred, turn the power off and call our office immediately.

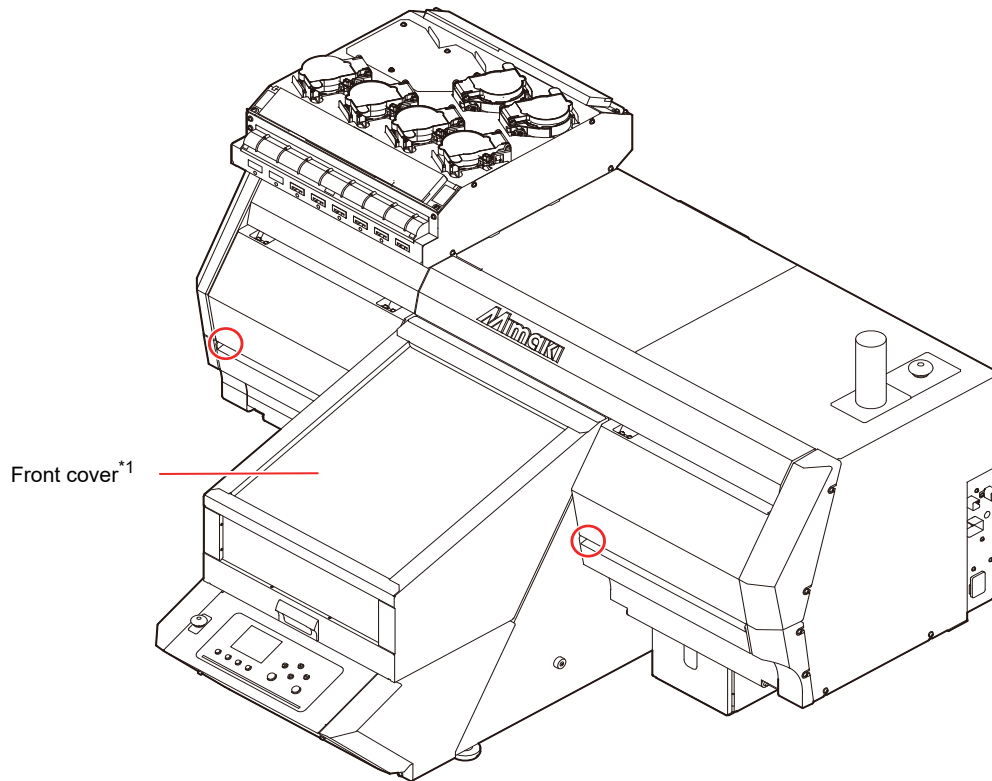
Cautions on Installation

 **CAUTION**

<p>A place exposed to direct sunlight</p>	<p>On an inclined surface</p>
	
<p>A place that vibrates</p>	<p>A place exposed to direct air flow from an air conditioner or the like.</p>
	
<p>A place where temperature or humidity varies significantly</p>	<p>Around a place where fire is used</p>
<p> •Use the machine under the following environmental conditions:</p> <ul style="list-style-type: none"> • Operating environment: 20 to 30 °C (68 to 86 °F) 35 to 65 % (Rh) 	

Safety interlock

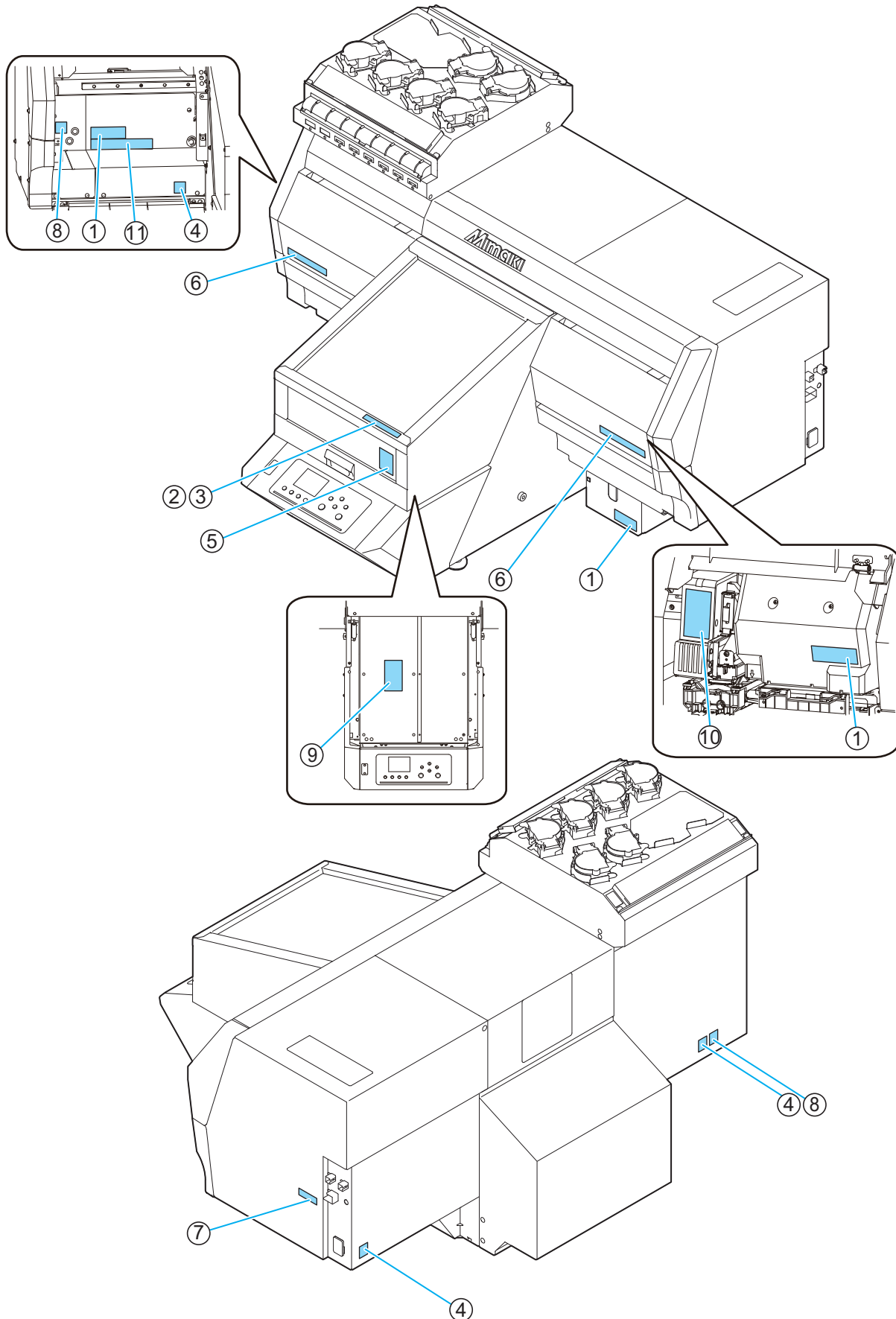
This machine is equipped with interlocks to terminate the operation for your safety when the cover opens during printing etc. (red circle parts in the figure below).




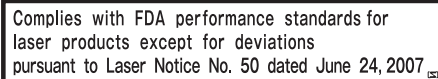









*1: Although the carriage stops when you open the front cover, the interlock is not activated.

Position of the warning label

Warning labels are adhered on this machine. Be sure to fully understand the warnings given on the labels. In the case where any of the warning label has become so soiled that the warning message is illegible or has come off, purchase a new one from your local distributor or our sales office.



Order No.	Label	Order No.	Label
(1)M903330		(6)M913425	
(2)M913563 (UJF-6042MkII/ UJF-6042MkII e)		(7)M913706	
(3)M913565 (UJF-3042MkII/ UJF-3042MkII EX/ UJF-3042MkII e/ UJF-3042MkII EX e/		(8)M903239	
(4)M907935		(9)M913610	
(5)M913423			
(10)M913419		(11)M915076	

ご注意

ご注意

株式会社ミマキエンジニアリングの保証規定に定めるものを除き、本機の使用または使用不能から生ずるいかなる損害（逸失利益、間接損害、特別損害またはその他の金銭的損害を含み、これらに限定しない）に関して一切の責任を負わないものとします。

また、株式会社ミマキエンジニアリングに損害の可能性について知らされていた場合も同様とします。

一例として、本機を使用したメディア等の損失や、作成された物によって生じた間接的な損失等の責任負担もしいものとします。

本機を使用したことによる金銭上の損害および逸失利益、または第三者からのいかなる請求についても、当社は一切その責任を負いかねますので、あらかじめご了承ください。

おねがい

- この取扱説明書は、内容について十分注意しておりますが、万一ご不審な点などがありましたら、販売店または弊社営業所までご連絡ください。
- この取扱説明書は、改良のため予告なく変更する場合があります。

電波障害自主規制

本機は、クラス A 情報技術装置です。本機を家庭で使用すると電波妨害を引き起こすことがあります。この場合には使用者が適切な対策を講ずるよう要求されることがあります。

VCCI-A

テレビ/ラジオの受信障害について

本機は、使用時に高周波が発生します。このため、本機が不適切な条件下で設置または使用した場合、ラジオやテレビの受信障害を発生する可能性があります。したがって特殊なラジオ/テレビに対しては保証しておりません。

本機がラジオ/テレビ受信の障害原因と思われましたら、本機の電源を切り、ご確認ください。電源を切り受信障害が解消すれば、本機が原因と考えられます。

次の手順のいずれか、またはいくつかを組み合わせるとお試しください。

- テレビやラジオのアンテナの向きを変え、受信障害の発生しない位置をさがしてください。
- 本機から離れた場所にテレビやラジオを設置してください。
- 本機とは別の電源供給路にあるコンセントにテレビやラジオを接続してください。

使用上の制限について

UJF-3042MkII e、及び、UJF-6042MkII e 専用のオプション Kebab HS システムは IEC62471/IECTR62471-2 に従った Risk Groupe3 に分類されます。

そのため UJF-3042MkII e、及び、UJF-6042MkII e は "使用上の制限" を守ってご使用ください。

なお、UJF-3042MkII、及び、UJF-6042MkII はオプション Kebab HS システム未対応のため、使用上の制限はありません。

使用上の制限

UJF-3042MkII e、及び、UJF-6042MkII e の使用は、危険性を十分理解した使用者に限られます。



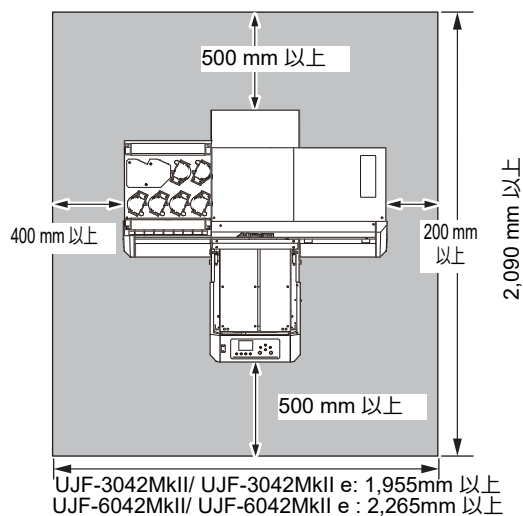
- UJF-3042MkII e、及び、UJF-6042MkII e を使用する際は、手袋、長袖の服を着用し、目は付属の遮光メガネで保護してください。

使用者の制限

UJF-3042MkII e、及び、UJF-6042MkII e の使用者は適切な訓練を受ける必要があります。適切な訓練を受けた使用者のみに制限してください。

エリア制限

UJF-3042MkII e、及び、UJF-6042MkII e は下記に示す範囲でエリア制限を設けてください。適切な訓練を受けた使用者以外の者は装置に近づけないでください。



はじめに

この度は、UV インクジェットプリンタ UJF-3042MkII/6042MkII/UJF-3042MkII e/UJF-6042MkII e をお買いあげいただき、誠にありがとうございます。
「UV インクジェットプリンタ UJF-3042MkII/6042MkII/UJF-3042MkII e/UJF-6042MkII e」は、紫外線硬化インク (UV インク) を使用しております。
本書をよくお読みにになり、お客様のニーズに合わせた作図にお役立てください。

取扱説明書について

- 本書は、「UV インクジェットプリンタ UJF-3042MkII/6042MkII/UJF-3042MkII e/UJF-6042MkII e」(以後本機と称します) の操作やメンテナンスなどの取り扱いについて説明いたします。
- 本書をお読みにになり、十分理解してからお使いください。また、本書をいつも手元に置いてお使いください。
- 本書は、本機をお使いになる担当者のお手元に確実に届くようお取りはからいください。
- 本書は、内容について十分注意して作成していますが、万一不審な点がありましたら、販売店または弊社営業所までご連絡ください。
- 本書は、改良のため予告なく変更する場合があります。ご了承ください。
- 本書が焼失/破損などの理由により読めなくなった場合は、新しい取扱説明書を弊社営業所にてお買い求めください。
- 取扱説明書の最新版は、弊社ホームページからもダウンロードできます。









本書の内容を無断で転載することは禁止されています。
© 株式会社ミマキエンジニアリング

安全にお使いいただくために

マーク表示について

本書では、マーク表示により操作上の注意内容を説明しています。注意内容により表示するマークは異なります。各マーク表示の持つ意味を理解し、本機を安全に正しくお使いください。

マーク表示の例

内 容	
	「警告」マークは、指示を無視して誤った取り扱いをすると、人が死亡または重傷を負う可能性が想定される内容を示しています。必ずよくお読みにになり、正しくお使いください。
	「注意」マークは、指示を無視して誤った取り扱いをすると、人が傷害を負う可能性が想定される内容および物的損害の発生が想定される内容を示しています。
	「重要」マークは、本機をお使いいただく上で、知っておいていただきたい内容が書かれています。操作の参考にしてください。
	「ヒント」マークは、知っておくと便利なお知らせが書かれています。操作の参考にしてください。
	関連した内容の参照ページを示しています。
	△マークは、注意 (危険・警告を含む) を促す内容があることを告げるものです。中に具体的な注意事項 (左図の場合は感電注意) が描かれています。
	⊘記号は、禁止の行為であることを告げるものです。図の中や近傍に具体的な禁止内容 (左図の場合は分解禁止) が描かれています。
	●記号は、行為を強制したり、指示する内容を告げたりするものです。図の中に具体的な指示内容 (左図の場合は差し込みプラグをコンセントから抜いてください) が描かれています。

警 告








- 換気の悪い部屋、または密閉された部屋で使用する場合は、必ず換気装置を設けてください。


排気口施工時について

本機の故障を防ぐため、下記の注意を必ずお守りください。



- (1) 排気口の形状は、お客さまの建物環境により異なりますが、開口部の面積はダクトの 50%以上を確保してください。
- (2) 排気口に閉鎖弁などを設置する場合、本機使用時は必ず閉鎖弁を開けてください。

 警告

-  同梱されている電源コードセットは本機専用です。本機以外の電気機器には使用できません。また、同梱されている電源コードセット以外の電源コードセットは、本機には使用しないでください。火災や感電の原因になります。
-  本機で使用するインクは、危険物第4類第3石油類に該当します。よって、引火する可能性があるため本機を使用する場所は、火気厳禁としてください。
-  ヘッドを清掃する際は、必ず付属の保護メガネと手袋を着用してください。
-  手袋は消耗品です。付属の手袋が無くなりましたら市販品をご使用ください。
-  誤ってインク、メンテナンス用洗浄液を飲み込んだ場合は、安静にして直ちに医師の診断を受けてください。嘔吐物は、飲み込ませないください。その後、(財)日本中毒情報センター 中毒 110 番に連絡してください。
- 蒸気を大量に吸い込んで気分が悪くなった場合は、直ちに空気の新鮮な場所に移り、暖かくして安静にしてください。また、直ちに医師の診察を受けてください。
- 廃インクは、使用している地域の条例に従って処分してください。





-  同梱されている電源ケーブルセットは本機専用です。本機以外の電気機器には使用できません。また、同梱されている電源ケーブルセット以外の電源ケーブルセットは、本機には使用しないでください。火災や感電の原因になります。
- 電源ケーブルを傷つけたり、破損したり、加工しないでください。また、重い物を載せたり、加熱したり、引っ張ったりすると電源ケーブルが破損し、火災・感電の原因になります。
- 湿気の多い場所での使用は避けてください。また、本機に水をかけないでください。火災や感電、故障の原因になります。
- 万一、煙が出ている、変な臭いがするなどの異常事態のまま使用すると、火災・感電の原因になります。すぐに、電源スイッチをオフにして、その後必ずプラグをコンセントから抜いてください。煙が出なくなるのを確認してから、販売店または弊社営業所に修理をご依頼ください。お客さまによる修理は危険ですから絶対に行わないでください。
- 本機やカートリッジの分解・改造は、絶対に行わないでください。感電や故障の原因になります。
- メディア搬送面のヒーターにホコリやゴミなどが付着しないようにしてください。発火、火災の原因になります。
- 延長コードは使用しないでください。火災や感電の原因になります。
- 電源プラグの刃に金属などが触れると、火災や感電の原因になります。
- タコ足配線をしないでください。火災や感電の原因になります。

 警告

-  電源コードが傷んだり、芯線の露出・断線などが見られたりするときはサービス実施店に交換を依頼してください。そのまま使用すると火災や感電の原因になります。
 - 濡れた手で電源プラグを抜き差ししないでください。感電の原因になります。
 - 電源プラグを抜くときは、必ず電源プラグを持って抜いてください。電源コードを引っ張らないでください。コードが傷つき、火災や感電の原因になります。
 - 表示された電源電圧以外の電圧で使用しないでください。火災や感電の原因になります。
 - 表示された電源周波数以外では使用しないでください。火災や感電の原因になります。
 - 危険な可動部に、指や体の他の部分を近づけないでください。
 - 万一、金属、水、液体などの異物が本機内部に入ったときは、すぐに電源を切ってください。その後必ず電源プラグをコンセントから抜いてサービス実施店に連絡してください。そのまま使用すると火災や感電の原因になります。
 - インク漏れが発生した場合は、主電源スイッチをオフにして電源プラグを抜いてから、販売店または弊社営業所、コールセンターにお問い合わせください。
-  本機に子供を近づけないでください。

絶対にしないでください

 警告

- 分解・改造はしない**
-  本機やインクボトルの分解・改造は、絶対に行わないでください。感電や故障の原因になります。
- 電源、電圧について**
-  表示された電源仕様で使用してください。また、電源ケーブルのプラグは、必ずアース処理されたコンセントに差し込んでください。火災・感電の原因になります。
 - 
 -  点灯中の LED UV 装置は絶対に直接肉眼で見ないでください。目の痛みや視力障害の原因になります。必ず保護メガネを掛けてください。
 - 紫外線 (UV) を皮膚に直接あてないでください。皮膚の炎症を起こす原因になります。

 **警告**


- メンテナンス時には感電を防ぐために、必ず主電源スイッチをオフにし、電源プラグを抜いてください。また装置によっては、コンデンサの電荷放電時間に 1 分間必要な場合があります。主電源スイッチをオフにし、電源プラグを抜いた後は、必ず 3 分後に作業するようにしてください。
- LED UV 装置がまれに破損することがあります。定格寿命もしくは、それ以前の LED UV 装置の交換をお勧めします。



- 本機の主電源スイッチの投入作業も、本機の操作方法を熟知した人以外には行わないでください。
- 点灯中や消灯直後は熱いので、LED UV 装置には手を触れないでください。ヤケドの原因となります。



- 本機はクラス 1 レーザー機器となりますが、レーザーセンサー自体はクラス 2 レーザーが使用されています。絶対にレーザー光を直接のぞき込まないでください。目の痛みや視力障害の原因になります。

**湿気の多い場所では使用しない**

- 湿気の多い場所での使用や、装置に水をかけないでください。火災や感電、故障の原因になります。

異常事態の発生

- 万一、煙が出ている、変な臭いがするなどの異常事態のまま使用すると、火災・感電の原因になります。すぐに、電源スイッチをオフにして、その後必ずプラグをコンセントから抜いてください。煙が出なくなるのを確認してから、販売店または弊社営業所に修理をご依頼ください。
- お客さまによる修理は危険ですから絶対におやめください。

インクボトルの取り扱い

- 一部成分において（光重合開始剤）、水生生物に対する毒性があります。自然水系、生活排水への漏洩流出を防いでください。
- インクボトルや廃インクタンクは、子供の手の届かない場所に保管してください。
- インクが皮膚や衣服に付着した場合は、直ちに石けんや水で洗い流してください。万一インクが目に入った場合は、直ちに水で洗い流し、医師の治療を受けてください。

LED UV の取り扱い

- 一部成分において（光重合開始剤）、水生生物に対する毒性があります。自然水系、生活排水への漏洩流出を防いでください。
- インクボトルや廃インクタンクは、子供の手の届かない場所に保管してください。
- インクが皮膚や衣服に付着した場合は、直ちに石けんや水で洗い流してください。万一インクが目に入った場合は、直ちに水で洗い流し、医師の治療を受けてください。

 **警告**
不凍液の取り扱い

- 不凍液は、弊社専用の不凍液をご使用ください。冷却装置が故障するおそれがあります。
- 不凍液は、直接肌に触れないようにしてください。万一、皮膚や衣服に触れてしまった場合は、石けんを使って、すぐに流水で洗い落としてください。万一、不凍液が目に入った場合は、大量の流水で洗い、医師の診断を受けてください。
- 不凍液をご使用前に、必ず安全データシート（SDS）をお読みください。
- 誤って不凍液を飲み込んだ場合は、直ちに吐かせ、医師の診断を受けてください。
- 不用となった不凍液は以下の方法で処分してください。おがくず、ウエスなどに吸着させて、焼却炉で焼却する
- 免許を持った産業廃棄物処理業者に内容物を明確にして処理を委託する
- 静電気・衝撃火花による着火源が生じないように注意してください。



- 不凍液を取り扱う場合は、必ず保護メガネおよび手袋を着用してください。

**循環水について**

- メンテナンス部に水漏れが発見された場合は、直ちに電源スイッチをオフにしてプラグをコンセントから抜いてください。

メンテナンス上の注意

- インクステーションやヘッドを清掃する際は、必ず付属の保護メガネと手袋を着用してください。



- 手袋は消耗品です。付属の手袋が無くなりましたら市販品をご使用ください。












- インクは火気の無いところで換気しながらお使いください。
- 万一、インクが目に入った場合は、直ちに大量の清浄な水で 15 分以上洗い流し、まぶたの裏まで完全に洗い流してください。また、できるだけ早く医師の診察を受けてください。
- 誤ってインクを飲み込んだ場合は、安静にして直ちに医師の診断を受けてください。嘔吐物は、飲み込ませないでください。その後、（財）日本中毒情報センター 中毒 110 番に連絡してください。










大阪 : 072-727-2499

つくば : 029-852-9999



- 蒸気を大量に吸い込んで気分が悪くなった場合は、直ちに空気の新鮮な場所に移り、暖かくして安静にしてください。また、直ちに医師の診察を受けてください。
- インクが皮膚に付着した場合は、石鹸または皮膚用洗剤を使い大量の水で十分に洗い落としてください。

使用上のご注意

 注意	
警告ラベルについて	
	<ul style="list-style-type: none"> 本機には、警告ラベルが貼ってあります。警告ラベルの内容を十分理解してください。なお、警告ラベルが汚れて読めなくなったり、剥がれたりした場合は、販売店、または弊社営業所にて新しい警告ラベルをお買い求めください。
インクボトルについて	
	<ul style="list-style-type: none"> ボトルを寒いところから暖かいところに移した場合は、使用する場所に3時間以上放置してから利用してください。 ボトルは、取り付け直前に開封してください。開封した状態で長時間放置しておくと、正常に作図できない場合があります。 ボトルは、冷暗所で保存してください。 ボトルを開封後は、早めに使い切ってください。開封後、長時間経過した物は、作図品質が低下します。
	<ul style="list-style-type: none"> 専用インク以外を使用すると、故障の原因になります。専用インク以外を使用して故障した場合の修理は、お客さまの負担になりますのでご了承ください。 ボトル内のインクを詰め替えないでください。 インクボトルを強くたたいたり、激しく振り回したりしないでください。ボトルからインクが漏れる場合があります。
ホコリから守る	
	<ul style="list-style-type: none"> できるだけホコリの少ない部屋で利用してください。悪環境下では、リフレッシュレベルを2または3に設定してください。 夜帰宅する際は、正面カバーを開いたままにしないでください。メディアの上にホコリが付着してしまいます。 メディアはホコリがつかないように保管してください。メディアに付着したホコリを拭き取ると、静電気により逆効果になってしまいます。
メンテナンス用洗浄液について	
	<ul style="list-style-type: none"> メンテナンス用洗浄液は、冷暗所で保管してください。また子供の手の届かない場所に保管してください。
不凍液について	
	<ul style="list-style-type: none"> 不凍液は冷暗所で保存してください。 不凍液は、子供の手の届かない場所に保管してください。
高温について	
	<ul style="list-style-type: none"> LED UV や温水装置は、高温になります。メンテナンスを行うときは、LED UV 装置消灯後十分温度が下がってから行ってください。
	<ul style="list-style-type: none"> 万一、高温部に触るときは、断熱性のある手袋などで手の皮膚を保護してください。

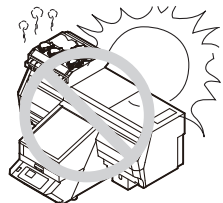
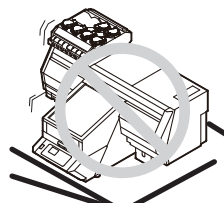
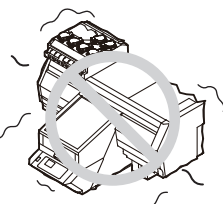
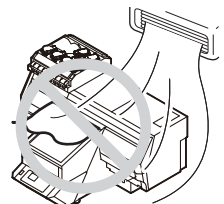

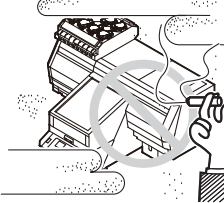
 注意	
電源供給について	
	<ul style="list-style-type: none"> プレーカーは常時オンにしておいてください。 側面にある主電源スイッチはオフにしないでください。
紫外線について	
	<ul style="list-style-type: none"> LED UV 装置周辺から多少の紫外線漏れがあります。紫外線を皮膚や目に浴びると、炎症や皮膚ガンを起こす可能性があります。弱い紫外線で炎症を起こさない場合でも、反復暴露により慢性障害に発展する場合があります。紫外線を皮膚や目に浴びないようにしてください。
	<ul style="list-style-type: none"> 紫外線の目への障害として、急性障害；異物など、とう痛および涙が流れるなどがあります。慢性障害；白内障などがあります。本機を使用する場合、手袋、長袖の服、顔面部は遮光面、目は付属の遮光メガネなどで保護してください。
LED UV 装置の注意	
	<ul style="list-style-type: none"> LED UV 装置下面のガラスは、必ず付属の手袋をはめて取り扱い、素手で触れないでください。UV 硬化が著しく低下する原因になります。汚れがついた場合には、アルコールを湿らせた清潔なガーゼなどで拭いてください。（外側カバーは、アルコールで拭かないでください。塗装がはげます。）
	<ul style="list-style-type: none"> LED UV 装置の性能、寿命は UV 照射装置、UV 電源装置によって大きく左右されます。弊社推奨の LED UV 装置、UV 電源装置以外は絶対に使用しないでください。弊社推奨の UV 照射装置、UV 電源装置以外を使用して生じた不具合について、弊社は一切責任を負いかねます。
清掃について	
	<ul style="list-style-type: none"> 長年の使用により装置導電部や絶縁部にゴミ、ホコリがたまり漏電する場合があります。定期的に清掃をしてください。 清掃は圧縮空気の吹き付けで行わないでください。ゴミ、ホコリが飛散するだけでなく、導電部に侵入して動作不良を起こします。必ず掃除機を使用して、ゴミ・ホコリを吸い取ってください。 水のかかる場所での使用は、漏電の可能性が非常に高くなります。水のかかる場所での使用は避けてください。 万一、漏電が発生すると、作業員の感電や火災に発展する場合があります。 事故防止のため、定期点検、定期交換部品の交換などは必ず行ってください。
定期交換部品があります	
	<ul style="list-style-type: none"> 本機には、別に定める定期交換部品があります。保守契約をしていただくことをお勧めします。
装置を水平に保つ	
	<ul style="list-style-type: none"> 本機を水平に保つようにしてください。

 注意

発火、発煙について	
	<ul style="list-style-type: none"> LED UV 装置などの高温部に可燃物が触れると、発火、発煙の可能性があります。また、LED UV 装置の下に数秒間、可燃物を放置すると、発火、発煙の可能性があります。
	<ul style="list-style-type: none"> 長年の使用で、安定器やその他使用部品についてゴミやホコリによる漏電、絶縁劣化が原因の発火、発煙の可能性があります。定期的な清掃、絶縁抵抗測定による劣化部品の交換をしてください。 長年の使用で、導電部のネジなどが緩むことが原因で、発火、発煙の可能性があります。定期的な増し締めを行ってください。 本機は防爆タイプではありません。危険物雰囲気での使用は爆発などの危険があります。危険物雰囲気での使用を禁止します。 異臭・発煙・スパーク跡など装置に異常が見られた場合は直ちに電源をオフにして弊社まで連絡してください。

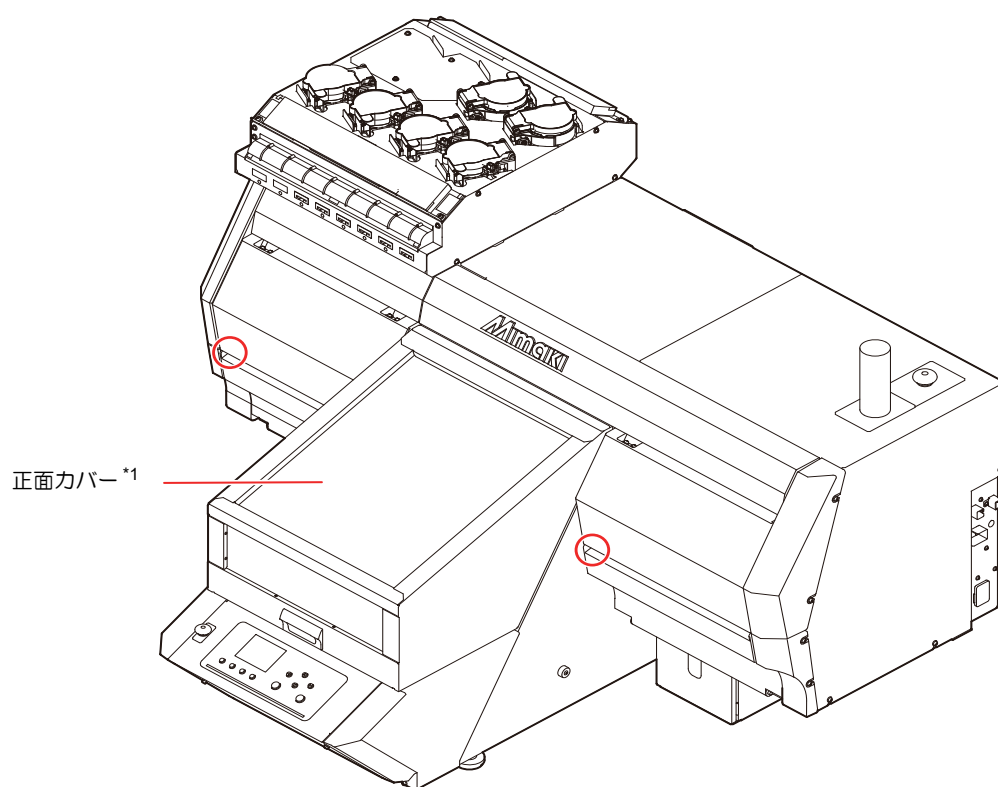
設置上のご注意

 注意

直射日光が当たる場所	水平でない場所
	
振動が発生する場所	エアコンなどの風が直接当たる場所
	
温度や湿度の変化が激しい場所	火を使う場所
 <ul style="list-style-type: none"> 次の環境下でお使いください。 使用環境： 20 ~ 30 °C (68 ~ 86 °F) 35 ~ 65 % (Rh) 	

安全インターロックについて

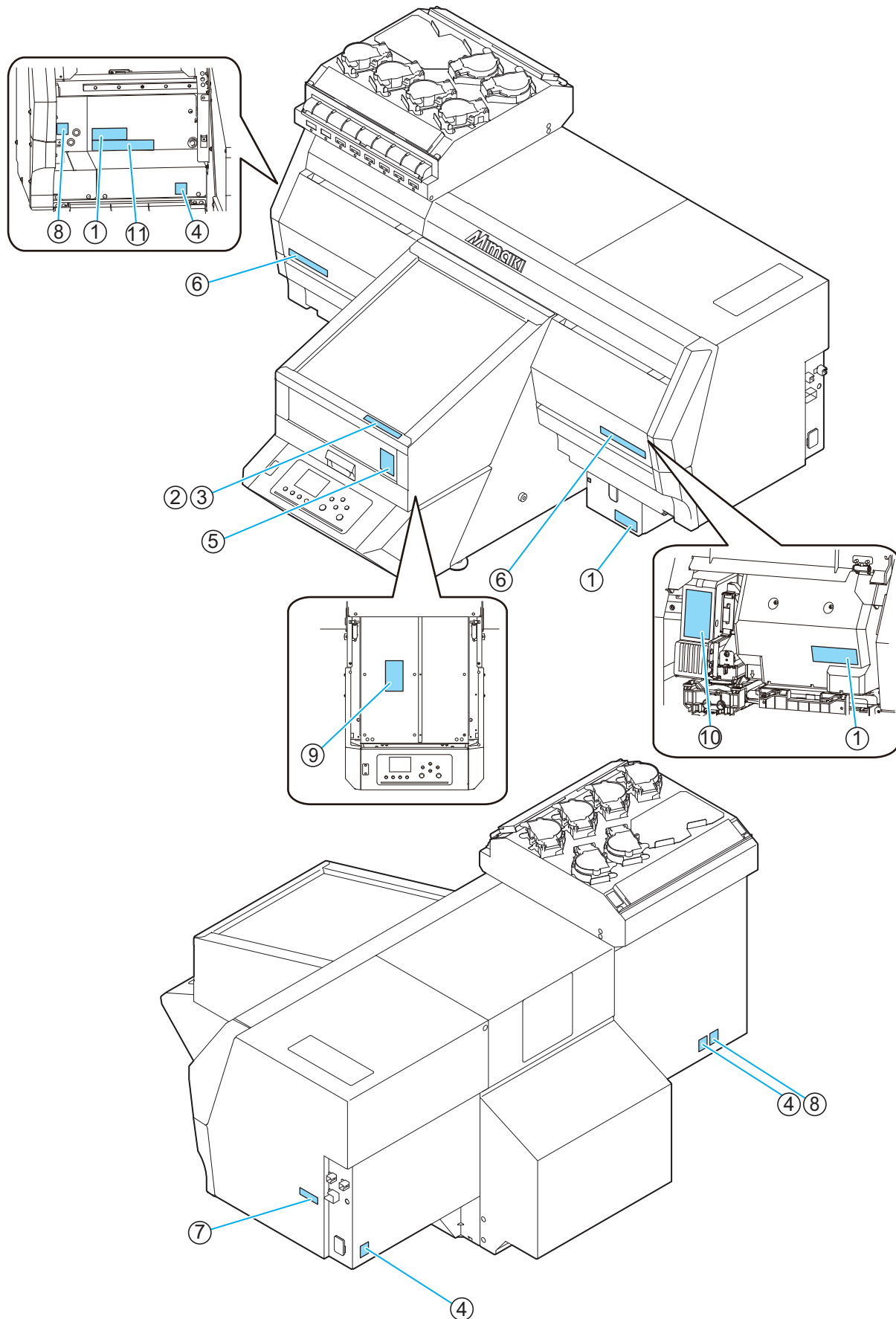
本機は安全のため、プリント中などにカバーが開いた場合に動作を中断させるためのインターロックがついています。
(下図の赤丸部分)




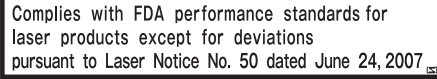









*1: 動作中に正面カバーを開くとキャリッジは停止しますが、インターロックではありません。

警告ラベルについて

本機には、下記の警告ラベルが貼ってあります。警告ラベルの内容を十分理解してください。
 なお、警告ラベルが汚れて読めなくなったり剥がれた場合は、新しい警告ラベルを販売店または弊社営業所にてお買い求めください。



注文番号	ラベル	注文番号	ラベル
(1)M903330		(6)M913425	
(2)M913563 (UJF-6042MkII/ UJF-6042MkII e)		(7)M913706	
(3)M913565 (UJF-3042MkII/ UJF-3042MkII e)		(8)M903239	
(4)M907935		(9)M913610	
(5)M913423		(10)M913419	
(10)M913419		(11)M915076	