

**Safety Precautions**

**COLOR INKJET PRINTER**

***Tx300P-1800B***

**Safety Precautions**  
安全上の注意

**English**

---

|                          |   |
|--------------------------|---|
| CAUTION .....            | 3 |
| Safety Precautions ..... | 3 |
| Warning labels .....     | 7 |

**日本語**

---

|                     |    |
|---------------------|----|
| ご注意 .....           | 9  |
| 安全にお使いいただくために ..... | 9  |
| 警告ラベルについて.....      | 13 |

## EC DECLARATION OF CONFORMITY

We hereby declare that the following our products conform with the essential health and safety requirements of EC Directives.

|                                      |  |            |
|--------------------------------------|--|------------|
| Product                              | Color Inkjet Printer   |            |
| Model No.                            | Tx300P-1800B   |            |
| Serial No. covered                   | AABCDEEE<br>AA: W3, B: 0 to 9, C: any alpha-numeric, D: any alphabet, EEE: 001 to 999                  |            |
| Manufacturer                         | MIMAKI ENGINEERING CO.,LTD.<br>2182-3, Shigeno-otsu, Tomi, Nagano, 389-0512, JAPAN                     |            |
| Authorised Compiler in the Community | MIMAKI EUROPE B.V.<br>Stammerdijk 7E 1112 AA Diemen, The Netherlands<br>Managing Director Koji Shimizu |            |
| Directives                           | Machinery Directive  | 2006/42/EC |
|                                      | Low Voltage Directive  | 2014/35/EU |
|                                      | EMC Directive  | 2014/30/EU |
|                                      | RoHS Directive   | 2011/65/EU |

The above products have been evaluated for conformity with above directives using the following European standards. The technical construction file (TCF) for this product is retained at the above Manufacturer's location.

|   |  |
|---|--|
| Machinery Directive / Low Voltage Directive | EN ISO12100:2010, EN60204-1:2006+A1, EN60950-1:2006+A11+A1+A12       |
| EMC Directive                               | EN55022:2010, EN61000-3-2:2006+A1+A2, EN61000-3-3:2008, EN55024:2010 |
| RoHS Directive                              | EN50581:2012   |

## CAUTION

### DISCLAIMER OF WARRANTY

THIS LIMITED WARRANTY OF MIMAKI SHALL BE THE SOLE AND EXCLUSIVE WARRANTY AND IS IN LIEU OF ALL OTHER WARRANTIES, EXPRESS OR IMPLIED, INCLUDING, BUT NOT LIMITED TO, ANY IMPLIED WARRANTY OF MERCHANTABILITY OR FITNESS, AND MIMAKI NEITHER ASSUMES NOR AUTHORIZES DEALER TO ASSUME FOR IT ANY OTHER OBLIGATION OR LIABILITY OR MAKE ANY OTHER WARRANTY OR MAKE ANY OTHER WARRANTY IN CONNECTION WITH ANY PRODUCT WITHOUT MIMAKI'S PRIOR WRITTEN CONSENT.

IN NO EVENT SHALL MIMAKI BE LIABLE FOR SPECIAL, INCIDENTAL OR CONSEQUENTIAL DAMAGES OR FOR LOSS OF PROFITS OF DEALER OR CUSTOMERS OF ANY PRODUCT.

### Requests

- This Operation manual has been carefully prepared for your easy understanding.  
However, please do not hesitate to contact a distributor in your district or our office if you have any inquiry.
- Description contained in this Operation manual are subject to change without notice for improvement.

### FCC Statement (USA)

This equipment has been tested and found to comply with the limits for a Class A digital device, pursuant to Part 15 of the FCC Rules. These limits are designed to provide reasonable protection against harmful interference when the equipment is operated in a commercial environment. This equipment generates, uses and can radiate radio frequency energy and, if not installed and used in accordance with the Operation manual, may cause harmful interference to radio communications. Operation of this equipment in a residential area is likely to cause harmful interference in which case the user will be required to correct the interference at his own expense. In the case where MIMAKI-recommended cable is not used for connection of this device, limits provided by FCC rules can be exceeded.

To prevent this, use of MIMAKI-recommended cable is essential for the connection of this printer.

### Interference to televisions and radios

The product described in this manual generates high frequency when operating.

The product can interfere with radios and televisions if set up or commissioned under improper conditions.

The product is not guaranteed against any damage to specific-purpose radio and televisions.

The product's interference with your radio or television will be checked by turning on/off the power switch of the product.

In the event that the product is the cause of interference, try to eliminate it by taking one of the following corrective measures or taking some of them in combination.

- Change the orientation of the antenna of the television set or radio to find a position without reception difficulty.
- Separate the television set or radio from this product.
- Plug the power cord of this product into an outlet which is isolated from power circuits connected to the television set or radio.












## Safety Precautions

### Symbols


Symbols are used in this Operation Manual for safe operation and for prevention of damage to the machine. The indicated sign is different depending on the content of caution.

Symbols and their meanings are given below. Please follow these instructions as you read this manual.

### Examples

| Meaning   |   |
|---|---|
|    | Failure to observe the instructions given with this symbol can result in death or serious injuries to personnel. Be sure to read it carefully and use it properly.  |
|    | Failure to observe the instructions given with this symbol can result in injuries to personnel or damage to property.   |
|    | Important notes in use of this machine are given with this symbol. Understand the notes thoroughly to operate the machine properly.   |
|    | Useful information is given with this symbol. Refer to the information to operate the machine properly.   |
|   | Indicates the reference page for related contents.  |
|  | The symbol "  " indicates that the instructions must be observed as strictly as the CAUTION instructions (including DANGER and WARNING instructions). A sign representing a precaution (the sign shown at left warns of hazardous voltage) is shown in the triangle.           |
|  | The symbol "  " indicates that the action shown is prohibited. A sign representing a prohibited action (the sign shown at left prohibits disassembly) is shown in or around the circle.  |
|  | The symbol "  " indicates that the action shown must be taken without fail or the instructions must be observed without fail. A sign representing a particular instruction (the sign shown at left instructs to unplug the cable from the wall outlet) is shown in the circle. |

### Warning for Use

| WARNING   |   |
|---|---|
|  | <ul style="list-style-type: none"> <li>• The set of power cables provided with this machine is for use with this machine only, and cannot be used with other electrical devices. Do not use any power cables other than the ones provided with the machine. Failure to observe those instructions may result in fire or electric shocks.</li> <li>• Take care not to damage, break or work upon the power cable. If a heavy material is placed on the power cable, or if it is heated or pulled, the power cable can break, thus resulting in fire or electric shocks.</li> </ul> |

 **WARNING**



• Do not use this machine in an environment where humidity is high or the machine may get wet. Using the machine under such environment may result in fire or electric shock, or cause malfunction.



• Use of the machine under an abnormal condition where it produces smoke or strange smell can result in fire or electric shocks. If such an abnormality is found, be sure to turn off the power switch immediately and unplug the cable from the wall outlet. Check first that the machine no longer produces smoke, and then contact your distributor or a sales office of MIMAKI for repair. Never repair your machine by yourself since it is very dangerous for you to do so.

• In case of ink leakage, please turn off the main power, unplug the power cable and contact your local distributor, our sales office, or service center.

• As a fire is strictly prohibited at the time of repainting adhesive, make sure to turn off the power of circumjacent devices (such as a heater). In addition, please perform ventilation by all means.



• Never disassemble or remodel the main unit of the machine or the ink cartridge. Disassembly or remodeling can result in an electric shock or breakdown of the machine.

• Do not use extension cords. Doing so may result in fire or electric shocks.

• Keep the power plug prong clear of any foreign object such as a piece of metal. Failure to do so may result in a fire or electric shocks.

• Do not plug too many leads into a single socket. Doing so may result in fire or electric shocks.

• Do not use the machine if the power cord or plug is damaged. Using the machine with damaged power cord may result in fire or electric shocks. Contact your service representative for replacement cord.

• Do not handle the power plug with wet hands. Doing so may result in electric shocks.

• Grasp by holding the plug itself when removing the power plug from wall outlet, and never hold by the cord. Holding and pulling the cord may damage the cord, leading to fire or electric shocks.

• To move the equipment, contact the nearest service shop.



**Hazardous Moving Parts**

- Keep Fingers and Other Body Parts Away
- If a foreign object such as a small piece of metal or a liquid such as water gets inside the machine, turn off the machine and unplug the power cord immediately, then consult your service representative. Continuing to use the machine without proper maintenance or repair may result in fire or electric shocks.

**Precautions in Use**

 **CAUTION**

**Power supply**



- Leave the breaker turned ON.
- Do not turn off the main power switch on the right side of this machine.

**Handling of the power cable**



- Connect to a socket-outlet with determinate polarity.
- For PLUGGABLE EQUIPMENT, the socket-outlet shall be installed near the equipment and shall be easily accessible.
- Unplug the cord from the wall outlet and remove dust from the power plug periodically, at least once a year. Failure to do so may result in fire or electric shocks.

**Note on maintenance**



• When cleaning the ink-station or the heads, be sure to wear the included safety glasses and gloves.



- When handling ink and cleaning solution, pay close attention to ventilation and be sure to wear the included safety glasses and gloves.
- The gloves supplied with the machine are disposable. When all the gloves are expended, purchase an equivalent product on the market.

**Notes When Handling this machine**



- Use the equipment in a well-ventilated or not-airtight room.
- Ventilate the room sufficiently before using the equipment.
- Do not place the equipment in a humid or dusty place. Otherwise, there is a risk of fire or electrical shock.
- Do not place the equipment in an unstable place such as on a shaky table and on a tilted surface. The equipment may fall over or drop and cause injury.
- To replace a printing media, be careful not to pinch your fingers or get injured.
- Consult with the service shop about cleaning inside the equipment.  
Leaving the equipment with dust inside without cleaning for a long time may cause a fire or device failure. Consult with the distributor or service shop for the cost of cleaning inside the equipment.

**Handling of ink packs**

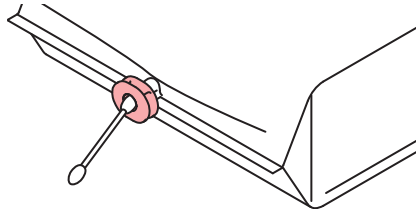


- Before using ink and cleaning solution, be sure to read the Safety Data Sheet (SDS).
- Keep ink away from an open flame. Also keep the room well ventilated when you use or handle ink.
- If you get ink in your eyes, immediately wash your eyes with a lot of clean water for at least 15 minutes. In doing so, also wash eyes to rinse ink away completely. Then, consult a doctor as soon as possible.
- If anyone drinks ink by mistake, keep him or her quiet and see a doctor immediately. Do not allow him or her to swallow the vomit.  
Then contact the emergency number written in SDS.

**CAUTION**



- If you inhale a great deal of vapor and feel ill, immediately move to a location with plenty of fresh air, and keep yourself warm and quiet. Consult a doctor as soon as possible.
- If the ink adheres to your skin, use a large amount of water and soap or special detergent for skin to remove the ink.
- Be sure to store ink packs out of reach of children.
- Do not leave the ink slot empty for a long time. Leaving it empty may dry the slot and solidify the ink in the machine, then the machine will become unable to supply ink.
- If ink packs are not set in the ink slot, an error message will display on the printer to set ink packs. Set the same colored ink cartridge as the ink used before.
- When you removed the ink pack from the seat before it ends, wipe ink adhering to inside of the connector part of the ink pack with a cotton swab etc. If ink adhering to inside of the connector part may dry out, it may cause ink leakage when using it again.



- When removing eco-case from the seat, be sure to wear safety glasses etc. Ink may spatter and get in your eyes. Do not pull out and insert the middle cartridge again as much as possible.

**CAUTIONS and NOTES**

**Warning**

**Disposition of this machine**

- Consult your sales or service representative for proper disposal of this machine. Otherwise, commission an industrial waste disposal company.

**Protection of media from dust**

- Store media in a bag. Wiping off dust accumulated on media will adversely affect the media due to static electricity.
- When leaving the workshop after the working hours, do not leave any media on the roll hanger. If any media is left on the roll hanger, it can get dusty.

**Periodic replacement parts**

- Some parts of this machine must be replaced with a new one periodically by service personnel. Be sure to make a contract with your distributor or dealer for After sale service to ensure a long life of your machine.

**Warning**

**Handling of media**

- Use media recommended by MIMAKI to ensure reliable, high-quality printing.
- Pay attention to the expansion and contraction of the media. Do not use media immediately after unpacking. The media can be affected by the room temperature and humidity, and thus it may expand and contract. The media have to be left in the atmosphere in which they are to be used for 30 minutes or more after unpacked.
- Do not leave the media with the heater ON for a long time.







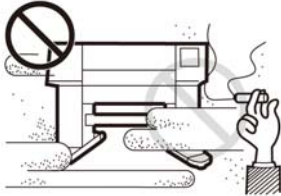
**Handling of ink packs**

- The safety evaluation of this machine assumes that the ink recommended by this company is used. For safe usage of this machine, use the ink recommended by this company
- Never refill the ink pack with ink. Refilled ink pack can cause a trouble. Remember that MIMAKI assumes no responsibility for any damage caused by the use of the ink pack replenished with ink.
- If the ink pack is moved from a cold place to a warm place, leave it in the room temperature for three hours or more before using it.
- Open the ink pack just before installing it in the machine. If it is opened and left for an extended period of time, normal printing performance of the machine may not be ensured.
- Make sure to store ink packs in a cool and dark place.
- Store ink packs and waste ink bottle in a place that is out of the reach of children.
- Be sure to thoroughly consume the ink in the ink pack, once it is opened, within three months. If an extended period of time has passed away after opening the cartridge tank, printing quality would be poor.
- Neither pound the cartridge nor shake it violently, as doing so can cause leakage of ink.
- Consult your sales or service representative for proper disposal of ink cartridge, ink pack, and waste ink. When you dispose them by yourself, follow the regulations stipulated by the industrial waste disposer or the country or region you live in.
- When you dispose the belt washing liquid, ask the industrial waste disposer to proceed or do by yourself following the local regulations of each country.

**Notes on maintenance**

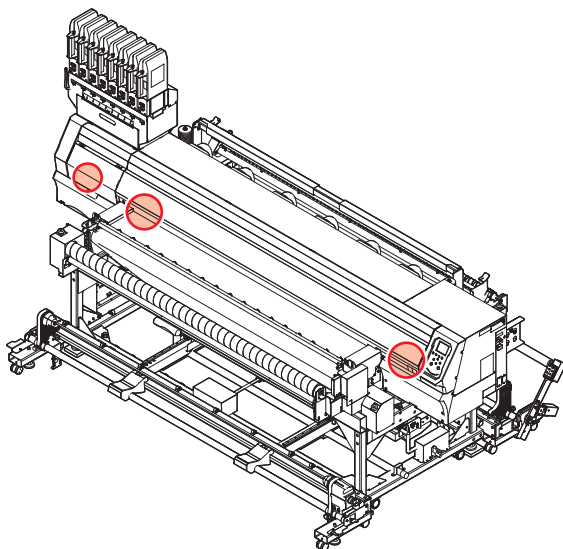
- It is strongly recommended to use the machine in a room that is not dusty.
- Keep the front cover closed even when the machine is not printing. If not, dust can accumulate on the nozzles in the heads. Dust in the heads can also cause drops of ink to fall suddenly down on the media during printing. In such a case, be sure to clean up the heads.
- When cleaning the ink-station or the heads, make sure to wear the attached gloves and safety glasses.
- Perform wiping (removal of dust and paper powder) of the capping station and wiper frequently.

### Cautions on Installation

|  CAUTION  |  |
|--|--|
| A place exposed to direct sunlight   | On an inclined surface   |
|   |   |
| A place that vibrates  | A place exposed to direct air flow from an air conditioner or the like.            |
|   |   |
| A place where temperature or humidity varies significantly   | Around a place where fire is used  |
| <p></p> <ul style="list-style-type: none"> <li>• Use the machine under the following environmental conditions:</li> <li>• Operating environment:<br/>20 to 30 °C<br/>(68 to 86 °F)<br/>35 to 65 % (Rh)</li> </ul> |  |

### Safety interlock

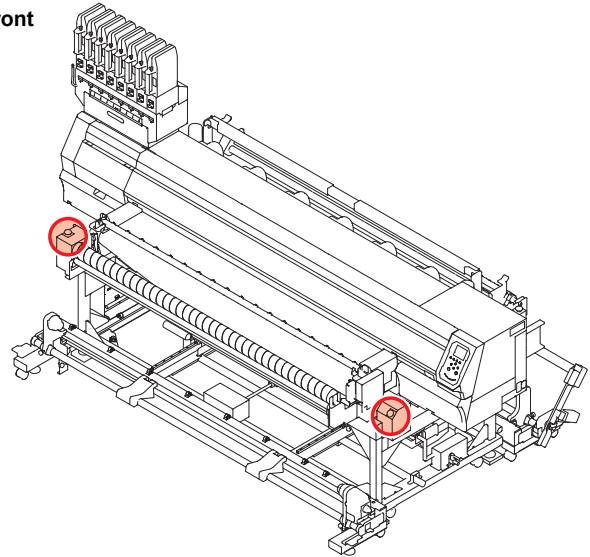
This machine is equipped with interlocks to terminate the operation for your safety when the cover opens during printing etc. (red circle parts in the figure below).



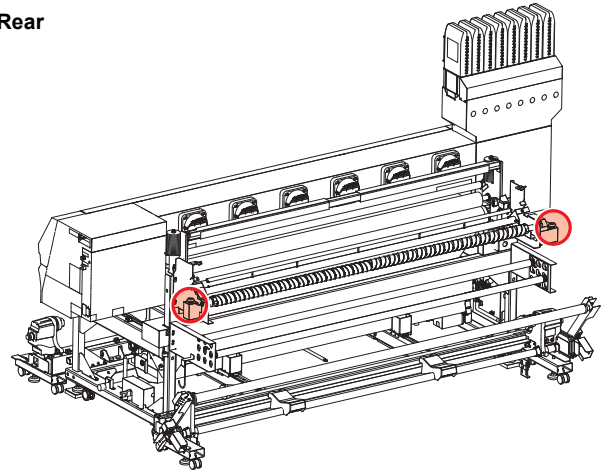
### Emergency Stop Switches

Press this button when an emergency stop is necessary for safety purposes. Two emergency stop switches are located on the front panel, and two on the rear panel.

Front

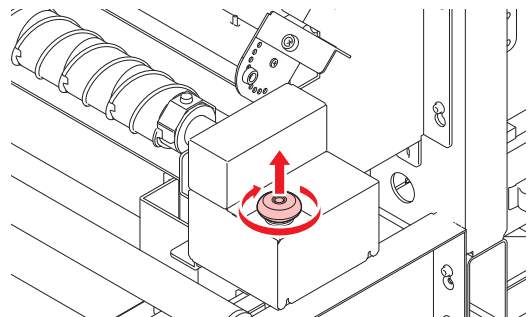


Rear



**Important!**

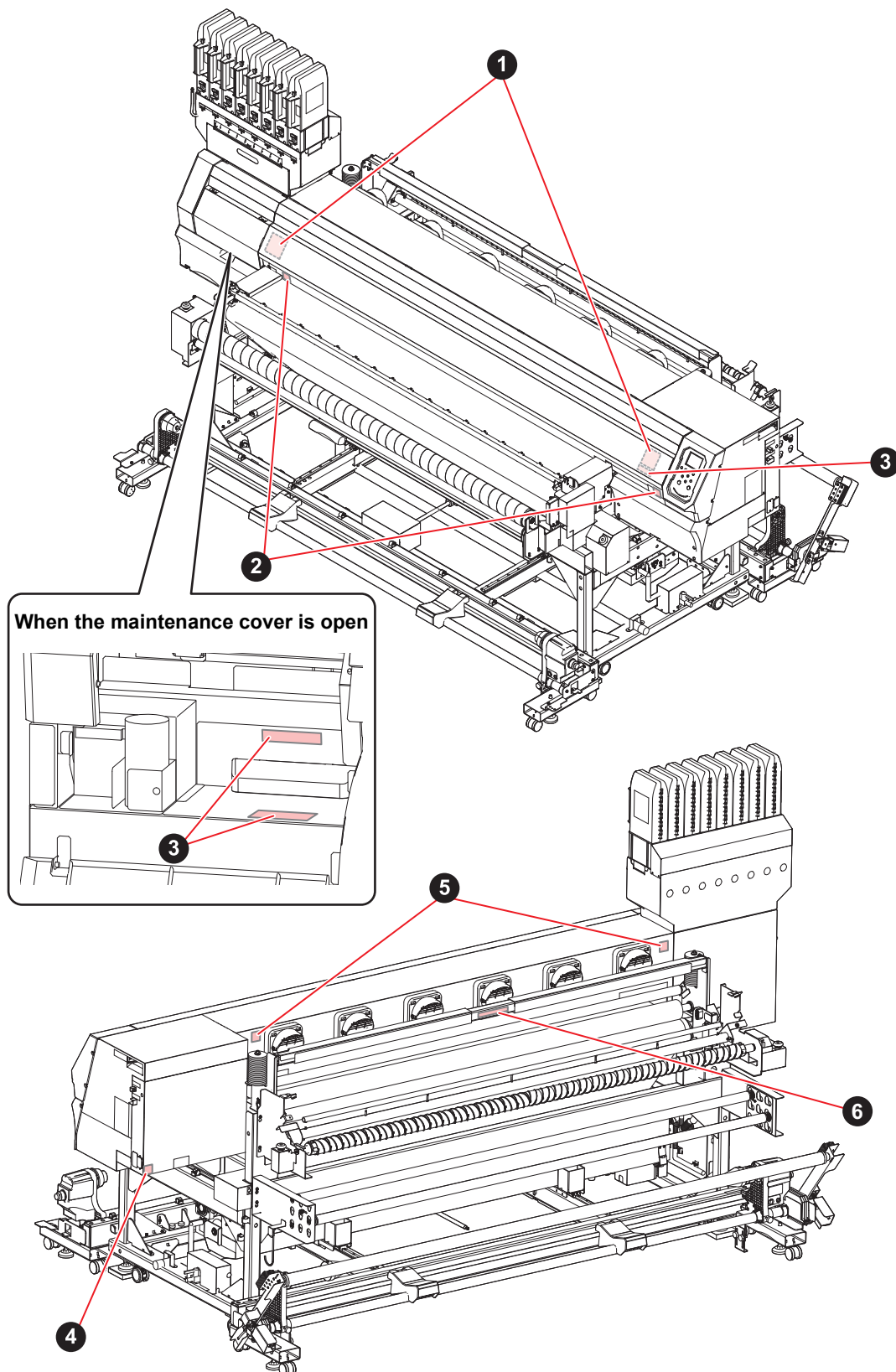
- Carry out the following procedure if the emergency stop button has been pressed.
  - (1) Disconnect the power plug from the plug socket and rectify the problem.
  - (2) Deactivate the emergency stop switch once safety has been confirmed.






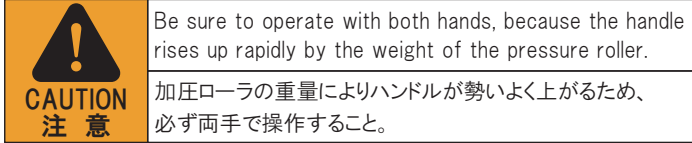


- (3) Connect the power plug to the plug socket.

# Warning labels

Warning labels are stuck on the machine. Be sure to fully understand the warning given on the labels. If a warning label is illegible due to stains or has come off, purchase a new one from a distributor or our sales office.



| No. | Reorder | Label  |
|-----|---------|--|
| 1   | M910931 |    |
| 2   | M907833 |     |
| 3   | M903330 |    |
| 4   | M907935 |     |
| 5   | M913867 |  |
| 6   | M913939 |  |



## ご注意

### ご注意

株式会社ミマキエンジニアリングの保証規定に定めるものを除き、本製品の使用または使用不能から生ずるいかなる損害（逸失利益、間接損害、特別損害またはその他の金銭的損害を含み、これらに限定しない）に関して一切の責任を負わないものとします。

また、株式会社ミマキエンジニアリングに損害の可能性について知らされていた場合も同様とします。

一例として、本製品を使用したメディア等の損失や、作成された物によって生じた間接的な損失等の責任負担もしないものとします。

本機を使用したことによる金銭上の損害および逸失利益、または第三者からのいかなる請求についても、当社は一切その責任を負いかねますので、あらかじめご了承ください。

### おねがい

- この取扱説明書は、内容について十分注意しておりますが、万一ご不審な点などがありましたら、販売店または弊社営業所までご連絡ください。
- この取扱説明書は、改良のため予告なく変更する場合があります。

### 電波障害自主規制

この装置は、クラス A 情報技術装置です。この装置を家庭で使用すると電波妨害を引き起こすことがあります。この場合には使用者が適切な対策を講ずるよう要求されることがあります。

VCCI-A

### テレビ/ラジオの受信障害について

本機は、使用時に高周波が発生します。このため、本機が不適切な条件下で設置または使用した場合、ラジオやテレビの受信障害を発生する可能性があります。したがって特殊なラジオ/テレビに対しては保証しておりません。本機がラジオ/テレビ受信の障害原因と思われましたら、本機の電源を切り、ご確認ください。電源を切り受信障害が解消すれば、本製品が原因と考えられます。次の手順のいずれか、またはいくつかを組み合わせでお試してください。









- テレビやラジオのアンテナの向きを変え、受信障害の発生しない位置をさがしてください。
- この製品から離れた場所にテレビやラジオを設置してください。
- この製品とは別の電源供給路にあるコンセントにテレビやラジオを接続してください。

## 安全にお使いいただくために



### マーク表示について

本機を安全に正しくお使いください。

#### マーク表示の例

| 内 容   |   |
|---|---|
|    | 「警告」マークは、指示を無視して誤った取り扱いをすると、人が死亡または重傷を負う可能性が想定される内容を示しています。必ずよくお読みになり、正しくお使いください。 |
|    | 「注意」マークは、指示を無視して誤った取り扱いをすると、人が傷害を負う可能性が想定される内容および物的損害の発生が想定される内容を示しています。          |
|    | 「重要」マークは、本機をお使いいただく上で、知っておいていただきたい内容が書かれています。操作の参考にしてください。                        |
|    | 「ヒント」マークは、知っておくと便利なお知らせが書かれています。操作の参考にしてください。                                     |
|   | 関連した内容の参照ページを示しています。  |
|  | △マークは、注意（危険・警告を含む）を促す内容があることを告げるものです。中に具体的な注意事項（左図の場合は感電注意）が描かれています。              |
|  | ⊘記号は、禁止の行為であることを告げるものです。図の中や近傍に具体的な禁止内容（左図の場合は分解禁止）が描かれています。                      |
|  | ●記号は、行為を強制したり、指示する内容を告げるものです。図の中に具体的な指示内容（左図の場合は差し込みプラグをコンセントから抜いてください）が描かれています。  |

#### 使用上の警告と注意

| 警告  |  |
|---|--|
|  | <ul style="list-style-type: none"> <li>同梱されている電源コードセットは本機専用です。本機以外の電気機器には使用できません。また、同梱されている電源コードセット以外の電源コードセットは、本機には使用しないでください。火災や感電の原因になります。</li> <li>電源ケーブルを傷つけたり、破損したり、加工しないでください。また、重い物をのせたり、加熱したり、引っ張ったりすると電源ケーブルが破損し、火災・感電の原因になります。</li> </ul> |
|  | <ul style="list-style-type: none"> <li>湿気の多い場所での使用は避けてください。また、本機に水をかけないでください。火災や感電、故障の原因になります。</li> </ul>  |

 **警告**



• 万一、煙が出ている、変な臭いがするなどの異常事態のまま使用すると、火災・感電の原因になります。すぐに、電源スイッチをオフにして、その後必ずプラグをコンセントから抜いてください。煙が出なくなるのを確認してから、販売店または弊社営業所に修理をご依頼ください。お客様による修理は危険ですから絶対に行わないでください。

• 万一、金属、水、液体などの異物が本機内部に入ったときは、すぐに電源を切ってください。その後必ず電源プラグをコンセントから抜いてサービス実施店に連絡してください。そのまま使用すると火災や感電の原因になります。

• インク漏れが発生した場合は、主電源スイッチをオフにして電源プラグを抜いてから、販売店または弊社営業所、コールセンターにお問い合わせください。

• 地張り剤の塗り替え作業時は火気厳禁とし、周囲にある装置（ヒーター等）の電源は、必ず OFF にしてください。また、換気を必ず行ってください。



• 本機やインクパックの分解・改造は、絶対にしないでください。感電や故障の原因になります。

• 延長コードは使用しないでください。火災や感電の原因になります。

• 電源プラグの刃に金属などが触れると、火災や感電の原因になります。

• タコ足配線をしないでください。火災や感電の原因になります。

• 電源コードが傷んだり、芯線の露出・断線などが見られるときはサービス実施店に交換を依頼してください。そのまま使用すると火災や感電の原因になります。

• 濡れた手で電源プラグを抜き差ししないでください。感電の原因になります。

• 電源プラグを抜くときは、必ず電源プラグを持って抜いてください。電源コードを引っ張らないでください。コードが傷つき、火災や感電の原因になります。

• 表示された電源電圧以外の電圧で使用しないでください。火災や感電の原因になります。

• 表示された電源周波数以外では使用しないでください。火災や感電の原因になります。

• 危険な可動部に、指や体の他の部分を近づけないでください。

• 本機を移動する場合は、最寄りのサービス店にご相談ください。



• 本機の近くまたは内部で可燃性のスプレーや引火性溶剤などを使用しないでください。引火による火災や感電の原因になります。

• 本機の上や近くに花瓶、植木鉢、コップ、化粧品、薬品、水などの入った容器または小さな金属物を置かないでください。こぼれたり、中に入ったりすると、火災や感電の原因になります。

**使用上のご注意**

 **注意**

**電源供給について**



- プレーカーは常時 ON にしておいてください。
- 側面にある主電源スイッチは OFF にしないでください。

**電源ケーブルについて**



- 極性付きのコンセントに接続してください。
- 必ず本機の近くにある電源コンセントに接続し、容易に取り外しができるようにしてください。
- 電源プラグは年に 1 回以上コンセントから抜いて、プラグの刃と刃の周辺部分を清掃してください。ホコリがたまると、火災の原因になります。

**メンテナンス上の注意**



• インクステーションやヘッドを清掃する際は、必ず付属の保護メガネと手袋を着用してください。



- インク、メンテナンス用洗浄液を取り扱う場合は、換気に十分注意して、必ず付属の保護メガネと手袋を着用してください。
- 手袋は消耗品です。付属の手袋がなくなりましたら市販品をご使用ください。

**本体の取り扱い上の注意**



• 換気の悪い部屋、または密閉された部屋で使用しないでください。

• 使用の際には十分な換気を行ってください。

• 湿気やホコリの多い場所に置かないでください。火災や感電の原因になります。

• ぐらついた台の上や傾いた所など不安定な場所に置かないでください。落ちたり、倒れたりして、けがの原因になります。

• メディアを交換するときは、指を挟んだり、けがをしないように注意してください。

• 本機内部の掃除をサービス実施店に相談してください。本機内部にホコリがたまったまま長い間掃除をしないと、火災や故障の原因になります。なお、本機内部の掃除費用については販売店またはサービス実施店に相談してください。

**インクパックの取り扱いについて**



• インクは火気のない所で換気しながらお使いください。

• 万一、インクが目に入った場合は、直ちに大量の清浄な水で 15 分以上洗い流し、まぶたの裏まで完全に洗い流してください。また、できるだけ早く医師の診察を受けてください。

• インク、メンテナンス用洗浄液の取り扱い前に必ず安全データシート (SDS) をお読みください。

• 誤ってインクを飲み込んだ場合は、安静にして直ちに医師の診断を受けてください。嘔吐物は、飲み込ませないでください。その後、(財)日本中毒情報センター 中毒 110 番に連絡してください。

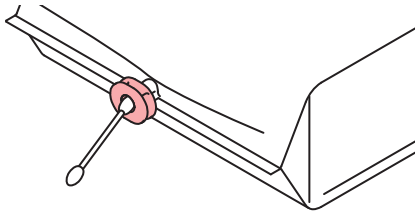
大阪: 072-727-2499

つくば: 029-852-9999

• 蒸気を大量に吸い込んで気分が悪くなった場合は、直ちに空気の新鮮な場所に移り、暖かくして呼吸しやすい姿勢で安静にしてください。また、直ちに医師の診断を受けてください。

**注意**

- インクが皮膚に付着した場合は、大量の水および石鹸または皮膚用洗剤を使用して十分に洗い落としてください。
- インクパックは子供の手の届かない所に保管してください。
- インクスロットを長時間空いたままにしないでください。スロット部分が乾燥し、装置内でインクが固まるなど、インク供給ができなくなることがあります。
- インクスロットにインクパックがセットされていないと、プリンタのディスプレイにインクパックのセットを促すエラーメッセージが表示されます。前に使用していたインクと同色のインクパックをセットしてください。
- 使いかけのインクパックを台座から取り外したときは、綿棒などを使用してインクパックのコネクタ部内側に付着しているインクを拭き取ってください。コネクタ部内側のインクが乾燥すると、再使用するときにインク漏れの原因となります。



- エコケースを台座から取り外すときは、保護メガネ等を着用してください。インクが飛んで目に入る可能性があります。

**ご注意とお願い****警告****インクパックの取り扱い**

- 当社推奨インクにより安全性を評価しています。安全にご使用いただくため、当社推奨インクをご使用ください。
- インクパック内のインクを詰め替えないでください。詰め替えたインクを使用して生じた不具合について、弊社は一切の責任を負いかねます。
- インクパックを寒い所から暖かい所に移した場合は、3時間以上室温環境下に放置してから使用してください。
- インクパックは、取り付け直前に開封してください。開封した状態で長時間放置しておく、正常にプリントできない場合があります。
- インクパックは、冷暗所で保存してください。
- インクパックや廃インクタンクは、子供の手の届かない場所に保管してください。
- インクパックを強くたたいたり、激しく振り回さないでください。インクパックからインクが漏れる場合があります。
- インクパックは、開封してから3カ月以内に使い切ってください。開封後、長時間経過したものは、プリント品質が低下します。

**警告**

- 不要になったインクパック・廃インクは、販売店またはサービス実施店へお渡しください。なお、お客様自身で廃棄処理される場合は、産業廃棄物処理業者または各国の地域の条例に従って処理してください。
- ベルト洗浄水は、産業廃棄物処理業者に処理を依頼するか、各国の地域の条例に従って処理してください。

**メディアの取り扱い**

- 推奨メディアをご使用ください。安定した高画質でプリントするには、弊社推奨のメディアをご使用ください。
- メディアの伸縮にご注意ください。包装を開けて間もないメディアは、使用しないでください。室内の温度や湿度によって、メディアが伸縮する場合があります。包装を開けて、使用する場所で30分以上さらしてから装置に取り付けてください。
- カールしたメディアは使用しないでください。メディア詰まりの原因になるだけでなく、画質にも影響を及ぼします。また、カールのきついメディアは、カールを取り除いてから使用してください。コーティングした定型サイズ紙をまるめて保管する場合は、コーティング面が外側になるようにしてください。

**メディアとホコリについて**

- メディアは袋に入れて保管してください。メディアに付着したホコリを拭き取ると、静電気により逆効果になります。
- 夜帰宅する際は、メディアをロールハンガーに掛けっぱなしにしないでください。メディアの上にホコリが付着してしまいます。

**定期交換部品について**

- 本機は、定期的にくいつかの部品を交換する必要があります。弊社サービスまたはお買い上げの販売店とアフターサービスの契約を行い、末永く安全に本機をご使用になることをお勧めします。




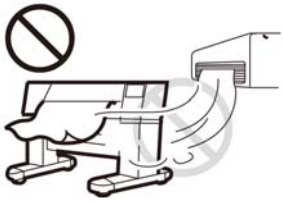
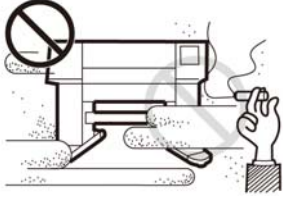
**本機の廃棄について**

- 本機を廃棄するときは、お買い上げの販売店か弊社サービスにご相談ください。なお、お客様自身で廃棄処理される場合は、産業廃棄物処理業者または各国の地域の条例に従って処理してください。

**メンテナンス上の注意**

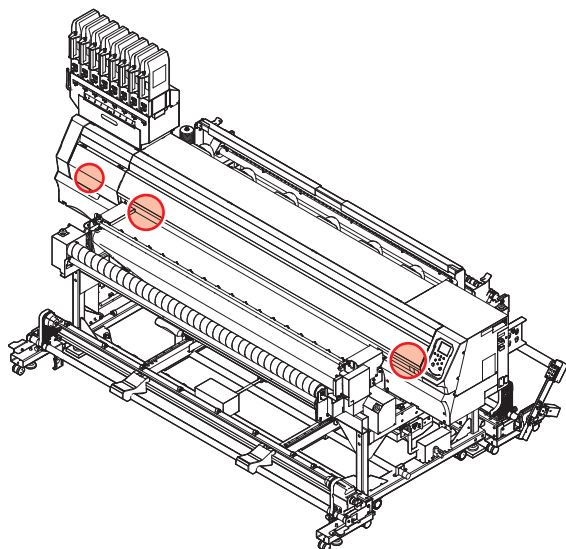
- 本機は、ホコリの少ない部屋で使用することをお勧めします。
- プリントをしていないときは、フロントカバーを閉じておいてください。開けたままにしておくと、ヘッドやノズルにホコリが付着し、プリント中にインク滴が突然メディアに落ちる場合があります。このような場合は、ヘッドの清掃をしてください。
- インクステーションやヘッドを清掃するときは、必ず付属の手袋と保護メガネを装着してください。
- 本機の状態を良好に保つため、ワイパーとキャップの清掃をこまめに行い、ホコリや紙粉を取り除いてください。

設置上のご注意

| ⚠ 注意  |  |
|---|--|
| 直射日光が当たる場所  | 水平でない場所  |
|    |   |
| 振動が発生する場所   | エアコンなどの風が直接当たる場所   |
|    |   |
| 温度や湿度の変化が激しい場所  | 火を使う場所   |
| <p>❗</p> <ul style="list-style-type: none"> <li>次の環境下でお使いください。</li> <li>使用環境：<br/>20 ~ 30 °C<br/>(68 ~ 86 °F)<br/>35 ~ 65 % (Rh)</li> </ul> |  |

安全インターロックについて

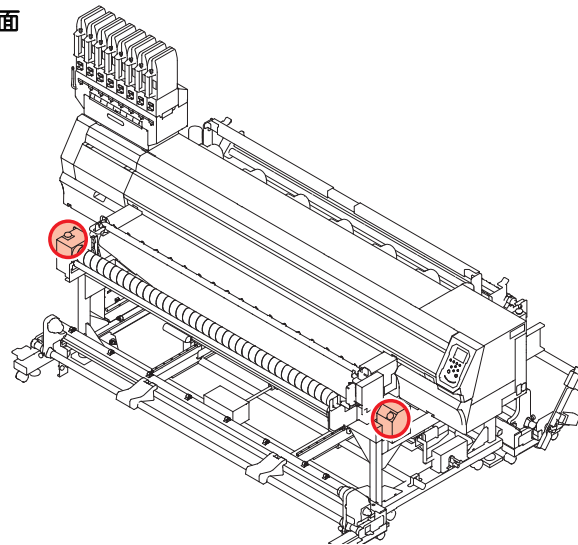
本機は安全のため、プリント中などにカバーが開いた場合に動作を中断させるためのインターロックがついています。(下図の赤丸部分)



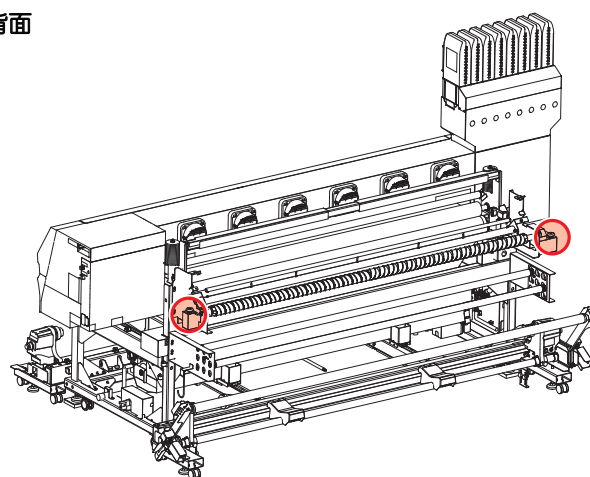
非常停止スイッチについて

安全上の理由で、本機を緊急停止したいときに押します。非常停止スイッチは、装置前面に2箇所、背面に2箇所あります。

前面

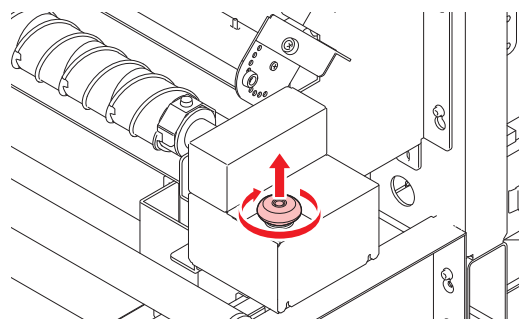


背面



**重要!**

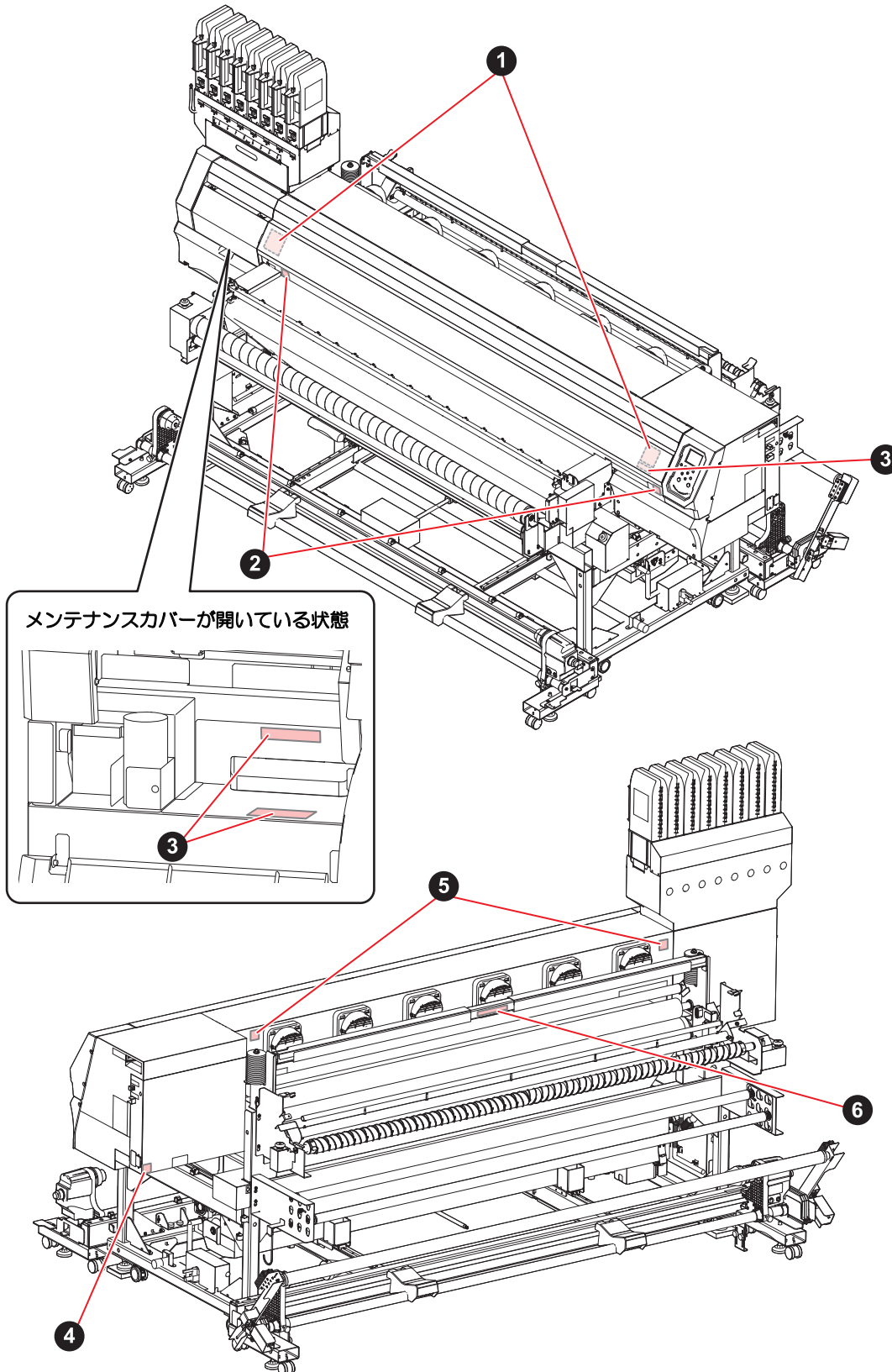
- 非常停止スイッチを押して緊急停止をした場合は、次のようにしてください。
- (1) コンセントを抜いてから、異常原因を取り除く
- (2) 安全確認後、非常停止スイッチを解除する









- (3) コンセントを接続する

# 警告ラベルについて

には、下記の警告ラベルが貼ってあります。警告ラベルの内容を十分理解してください。  
 なお、警告ラベルが汚れて読めなくなったり剥がれた場合は、新しい警告ラベルを販売店または弊社営業所にてお買い求めください。



| No. | 注文番号    | ラベル  |
|-----|---------|--|
| 1   | M910931 |    |
| 2   | M907833 |   |
| 3   | M903330 |    |
| 4   | M907935 |   |
| 5   | M913867 |   |
| 6   | M913939 |  <p data-bbox="702 1422 1244 1489">Be sure to operate with both hands, because the handle rises up rapidly by the weight of the pressure roller.</p> <p data-bbox="702 1489 1244 1556">加圧ローラの重量によりハンドルが勢いよく上がるため、必ず両手で操作すること。</p> |



